

## FEATURES

- Measures Up to 12 Battery Cells in Series
- Stackable Architecture
- Supports Multiple Battery Chemistries and Supercapacitors
- Individually Addressable Serial Interface
- 0.25% Maximum Total Measurement Error
- Engineered for ISO26262 Compliant Systems
- 13ms to Measure All Cells in a System
- Passive Cell Balancing:
  - Integrated Cell Balancing MOSFETs
  - Ability to Drive External Balancing MOSFETs
- Onboard Temperature Sensor and Thermistor Inputs
- 1MHz Serial Interface with Packet Error Checking
- Safe with Random Connection of Cells
- Built-In Self Tests
- Delta-Sigma Converter With Built-In Noise Filter
- Open-Wire Connection Fault Detection
- 12 $\mu$ A Standby Mode Supply Current
- High EMI Immunity
- 44-Lead SSOP Package

## APPLICATIONS

- Electric and Hybrid Electric Vehicles
- High Power Portable Equipment
- Backup Battery Systems
- Electric Bicycles, Motorcycles, Scooters

## DESCRIPTION

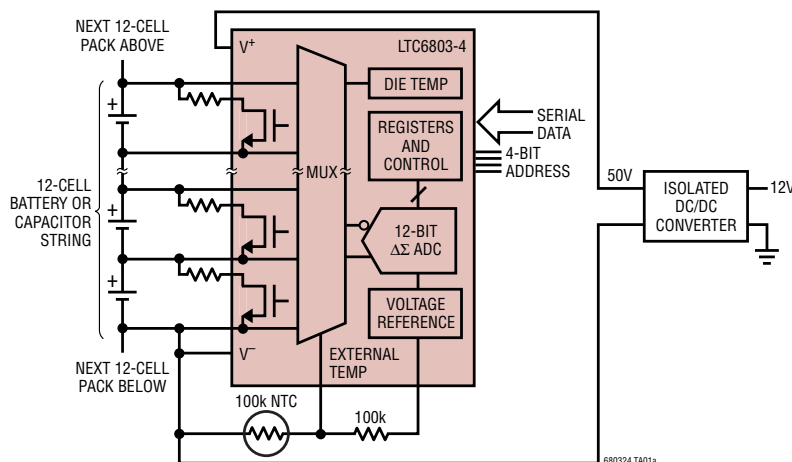
LTC6803IG is a 2nd generation, complete battery monitoring IC that includes a 12-bit ADC, a precision voltage reference, a high voltage input multiplexer and a serial interface. Each LTC6803 can measure up to 12 series connected battery cells or supercapacitors. Many LTC6803 devices can be stacked to measure the voltage of each cell in a long battery string. Each LTC6803-2/LTC6803-4 has an individually addressable serial interface, allowing up to 16 LTC6803-2/LTC6803-4 devices to interface to one control processor and operate simultaneously. Each cell input has an associated MOSFET switch for discharging overcharged cells. The LTC6803-2 connects the bottom of the stack to  $V^-$  internally. It is pin compatible with the LTC6802-2, providing a drop-in upgrade. The LTC6803-4 separates the bottom of the stack from  $V^-$ , improving cell 1 measurement accuracy.

The LTC6803 provides a standby mode to reduce supply current to 12 $\mu$ A. Furthermore, the LTC6803 can be powered from an isolated supply, providing a technique to reduce battery stack current draw to zero.

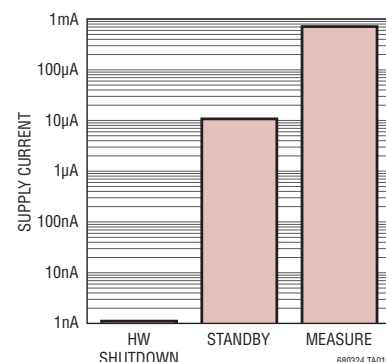
The related LTC6803-1 and LTC6803-3 offer a serial interface that allows the serial ports of multiple LTC6803-1 or LTC6803-3 devices to be daisy chained without opto-couplers or isolators.

LT, LT, LTC, LTM, Linear Technology and the Linear logo are registered trademarks of Linear Technology Corporation. All other trademarks are the property of their respective owners.

## TYPICAL APPLICATION



Supply Current vs Modes of Operation



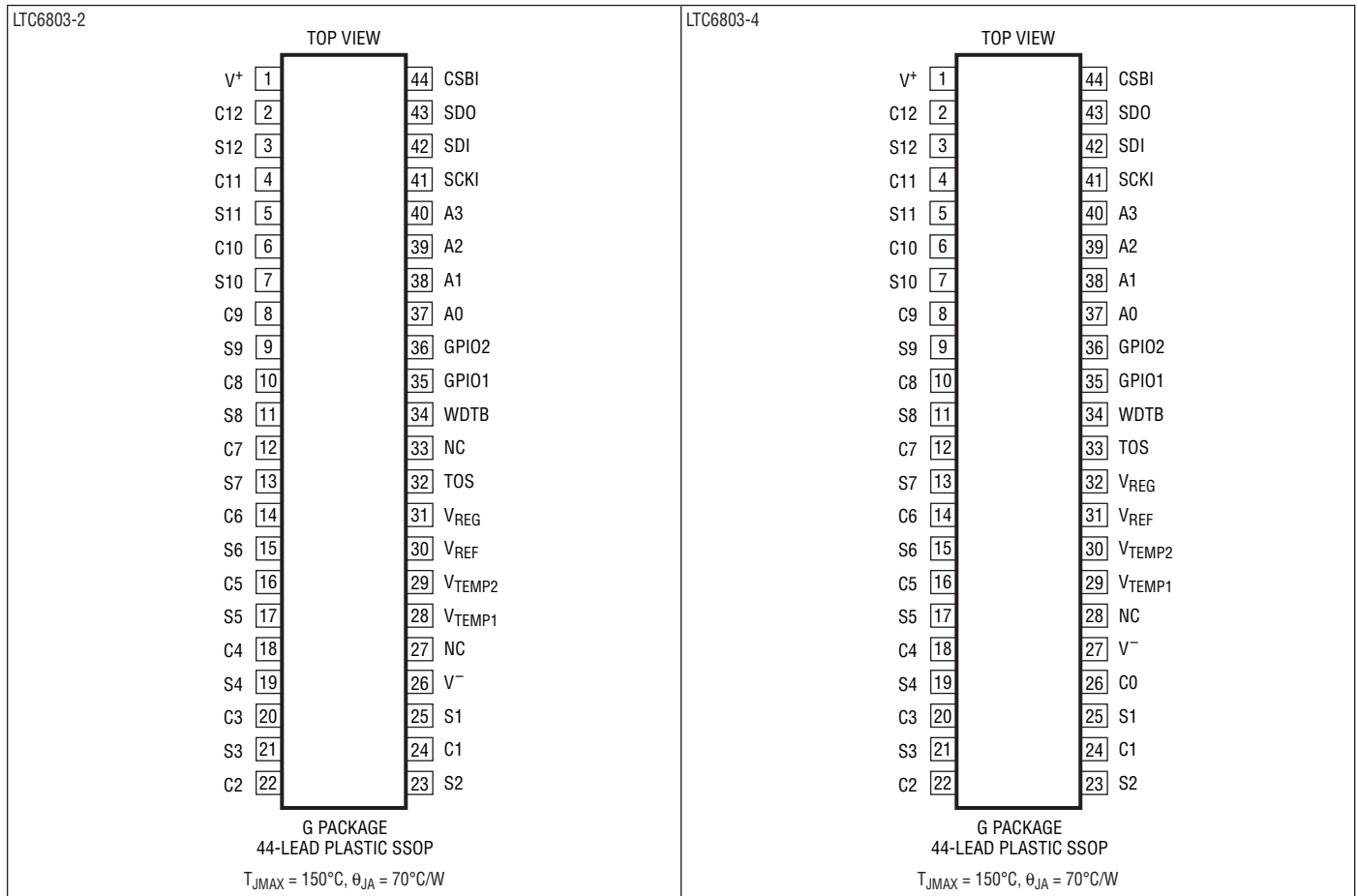
680324fa

# LTC6803IG-2

## ABSOLUTE MAXIMUM RATINGS (Note 1)

|   |                                   |                                 |                |
|---|-----------------------------------|---------------------------------|----------------|
| Total Supply Voltage ( $V^+$ to $V^-$ ) ..... | 75V                               | Operating Temperature Range     |                |
| Input Voltage (Relative to $V^-$ )            |                                   | LTC6803I .....                  | -40°C to 85°C  |
| C0 .....                                      | -0.3V to 8V                       | LTC6803H .....                  | -40°C to 125°C |
| C12 .....                                     | -0.3V to 75V                      | Specified Temperature Range     |                |
| Cn (Note 5) .....                             | -0.3V to Min ( $8 \cdot n$ , 75V) | LTC6803I .....                  | -40°C to 85°C  |
| Sn (Note 5) .....                             | -0.3V to Min ( $8 \cdot n$ , 75V) | LTC6803H .....                  | -40°C to 125°C |
| All Other Pins .....                          | -0.3V to 7V                       | Junction Temperature .....      | 150°C          |
| Voltage Between Inputs                        |                                   | Storage Temperature Range ..... | -65°C to 150°C |
| Cn to Cn - 1 .....                            | -0.3V to 8V                       | Note: n = 1 to 12               |                |
| Sn to Cn - 1 .....                            | -0.3V to 8V                       |                                 |                |
| C12 to C8 .....                               | -0.3V to 25V                      |                                 |                |
| C8 to C4 .....                                | -0.3V to 25V                      |                                 |                |
| C4 to C0 .....                                | -0.3V to 25V                      |                                 |                |

## PIN CONFIGURATION





## ELECTRICAL CHARACTERISTICS

The ● denotes the specifications which apply over the full operating temperature range, otherwise specifications are at  $T_A = 25^\circ\text{C}$ .  $V^+ = 43.2\text{V}$ ,  $V^- = 0\text{V}$ , unless otherwise noted.

| SYMBOL     | PARAMETER                                 | CONDITIONS   |        | MIN            | TYP            | MAX            | UNITS                    |
|------------|---|--|--------|----------------|----------------|----------------|--------------------------|
| $V_{REF}$  | Reference Pin Voltage                     | $R_{LOAD} = 100\text{k}$ to $V^-$  | ●      | 3.020<br>3.015 | 3.065<br>3.065 | 3.110<br>3.115 | V<br>V                   |
|            | Reference Voltage Temperature Coefficient |  |        |                | 8              |                | ppm/ $^\circ\text{C}$    |
|            | Reference Voltage Thermal Hysteresis      | $25^\circ\text{C}$ to $85^\circ\text{C}$ and $25^\circ\text{C}$ to $-40^\circ\text{C}$   |        |                | 100            |                | ppm                      |
|            | Reference Voltage Long-Term Drift         |  |        |                | 60             |                | ppm/ $\sqrt{\text{kHr}}$ |
| $V_{REF2}$ | 2nd Reference Voltage                     |  | ●      | 2.25<br>2.1    | 2.5<br>2.5     | 2.75<br>2.9    | V<br>V                   |
|            |   |  |        |                |                |                |                          |
| $V_{REG}$  | Regulator Pin Voltage                     | $10\text{V} < V^+ < 50\text{V}$ , No Load<br>$I_{LOAD} = 4\text{mA}$   | ●<br>● | 4.5<br>4.5     | 5.0<br>5.0     | 5.5            | V<br>V                   |
|            | Regulator Pin Short-Circuit Limit         |  | ●      | 8              |                |                | mA                       |
| $I_B$      | Input Bias Current                        | In/Out of Pins C1 Through C12<br>When Measuring Cell<br>When Not Measuring Cell  |        | -10            |                | 10             | $\mu\text{A}$<br>nA      |
|            |   |  |        |                | 1              |                |                          |
| $I_S$      | Supply Current, Measure Mode<br>(Note 7)  | Current Into the $V^+$ Pin When Measuring<br>Continuous Measuring (CDC = 2)<br>Continuous Measuring (CDC = 2)<br>Measure Every 130ms (CDC = 5)<br>Measure Every 500ms (CDC = 6)<br>Measure Every 2 Seconds (CDC = 7) | ●      | 620            | 780            | 1000           | $\mu\text{A}$            |
|            |   |  | ●      | 600            | 780            | 1150           | $\mu\text{A}$            |
|            |   |  | ●      | 190            | 250            | 360            | $\mu\text{A}$            |
|            |   |  | ●      | 140            | 175            | 250            | $\mu\text{A}$            |
|            |   |  | ●      | 55             | 70             | 105            | $\mu\text{A}$            |
| $I_{QS}$   | Supply Current, Standby                   | Current Into $V^+$ Pin When In Standby, All Serial<br>Port Pin at Logic "1"<br>LTC6803IG<br>LTC6803HG  | ●      | 8              | 12             | 16.5           | $\mu\text{A}$            |
|            |   |  | ●      | 6              | 12             | 18             | $\mu\text{A}$            |
|            |   |  | ●      | 6              | 12             | 19             | $\mu\text{A}$            |
| $I_{SD}$   | Supply Current, Hardware Shutdown         | Current Out of $V^-$ , $V_{C12} = 43.2\text{V}$ , $V^+$ Floating<br>(Note 8)   | ●      |                | 0.001          | 1              | $\mu\text{A}$            |
|            | Discharge Switch-On Resistance            | $V_{CELL} > 3\text{V}$ (Note 3)  | ●      | 10             |                | 20             | $\Omega$                 |
| $I_{OW}$   | Current Used for Open-Wire Detection      |  | ●      | 70             | 110            | 140            | $\mu\text{A}$            |
|            | Thermal Shutdown Temperature              |  |        |                | 145            |                | $^\circ\text{C}$         |
|            | Thermal Shutdown Hysteresis               |  |        |                | 5              |                | $^\circ\text{C}$         |

### Voltage Mode Timing Specifications

|             |                                |  |   |     |     |         |    |
|-------------|--------------------------------|--|---|-----|-----|---------|----|
| $t_{CYCLE}$ | Measurement Cycling            | Time Required to Measure 12 Cells              | ● | 11  | 13  | 15      | ms |
|             |                                | Time Required to Measure 10 Cells              | ● | 9   | 11  | 13      | ms |
|             |                                | Time Required to Measure 3 Temperatures        | ● | 2.8 | 3.4 | 4.1     | ms |
|             |                                | Time Required to Measure 1 Cell or Temperature | ● | 1.0 | 1.2 | 1.4     | ms |
| $t_1$       | SDI Valid to SCKI Rising Setup |  | ● | 10  |     | ns      |    |
| $t_2$       | SDI Valid to SCKI Rising Hold  |  | ● | 250 |     | ns      |    |
| $t_3$       | SCKI Low                       |  | ● | 400 |     | ns      |    |
| $t_4$       | SCKI High                      |  | ● | 400 |     | ns      |    |
| $t_5$       | CSBI Pulse Width               |  | ● | 400 |     | ns      |    |
| $t_6$       | CSBI Falling to SCKI Rising    |  | ● | 100 |     | ns      |    |
| $t_7$       | CSBI Falling to SDO Valid      |  | ● | 100 |     | ns      |    |
| $t_8$       | SCKI Falling to SDO Valid      |  | ● |     | 250 | ns      |    |
|             | Clock Frequency                |  | ● |     | 1   | MHz     |    |
|             | Watchdog Timer Timeout Period  |  | ● | 1   | 2.5 | Seconds |    |

**ELECTRICAL CHARACTERISTICS** The ● denotes the specifications which apply over the full operating temperature range, otherwise specifications are at  $T_A = 25^\circ\text{C}$ .  $V^+ = 43.2\text{V}$ ,  $V^- = 0\text{V}$ , unless otherwise noted.

| SYMBOL                          | PARAMETER                  | CONDITIONS                         | MIN | TYP | MAX | UNITS         |
|---------------------------------|----------------------------|------------------------------------|-----|-----|-----|---------------|
| <b>Voltage Mode Digital I/O</b> |                            |                                    |     |     |     |               |
| $V_{IH}$                        | Digital Input Voltage High | Pins SCKI, SDI and CSBI            | ●   | 2   |     | V             |
| $V_{IL}$                        | Digital Input Voltage Low  | Pins SCKI, SDI and CSBI            | ●   |     | 0.8 | V             |
| $V_{OL}$                        | Digital Output Voltage Low | Pin SDO, Sinking 500 $\mu\text{A}$ | ●   |     | 0.3 | V             |
| $I_{IN}$                        | Digital Input Current      | $V_{MODE}$ , TOS, SCKI, SDI, CSBI  | ●   |     | 10  | $\mu\text{A}$ |

**Note 1:** Stresses beyond those listed under Absolute Maximum Ratings may cause permanent damage to the device. Exposure to any Absolute Maximum Rating condition for extended periods may affect device reliability and lifetime.

**Note 2:** The ADC specifications are guaranteed by the Total Measurement Error ( $V_{ERR}$ ) specification.

**Note 3:** Due to the contact resistance of the production tester, this specification is tested to relaxed limits. The 20 $\Omega$  limit is guaranteed by design.

**Note 4:**  $V_{CELL}$  refers to the voltage applied across  $C_n$  to  $C_{n-1}$  for  $n = 1$  to 12.  $V_{TEMP}$  refers to the voltage applied from  $V_{TEMP1}$  or  $V_{TEMP2}$  to  $V^-$ .

**Note 5:** These absolute maximum ratings apply provided that the voltage between inputs do not exceed the absolute maximum ratings.

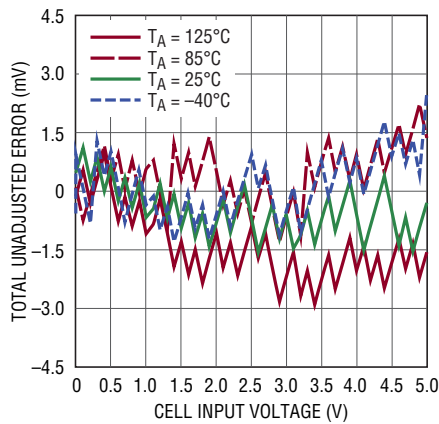
**Note 6:** Supply current is tested during continuous measuring. The supply current during periodic measuring (130ms, 500ms, 2s) is guaranteed by design.

**Note 7:** The CDC = 5, 6 and 7 supply currents are not measured. They are guaranteed by the CDC = 2 supply current measurement.

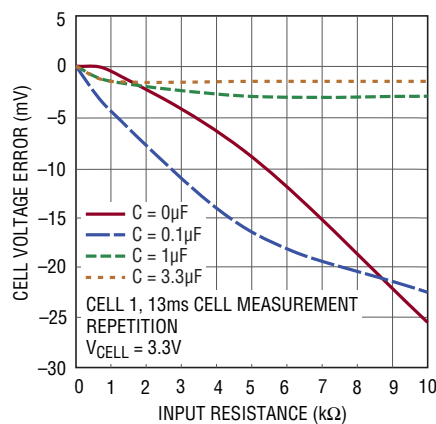
**Note 8:** Limit is determined by high speed automated test capability.

**TYPICAL PERFORMANCE CHARACTERISTICS**

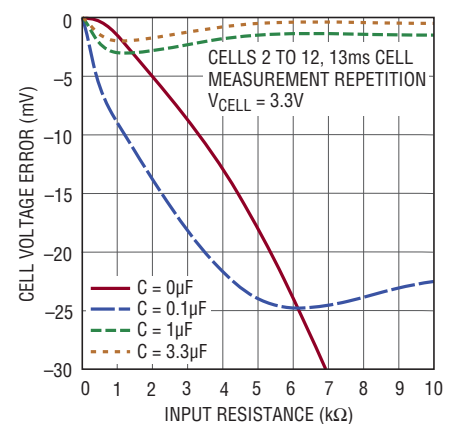
**Cell Measurement Error vs Cell Input Voltage**



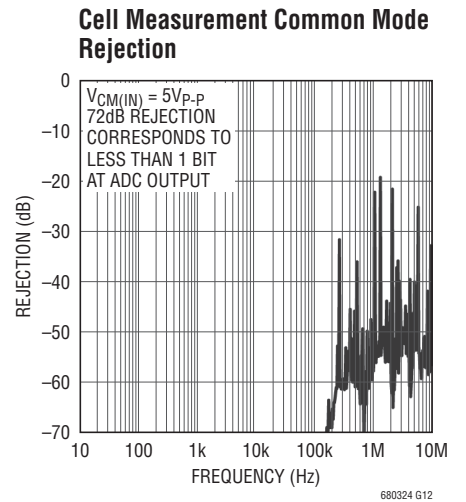
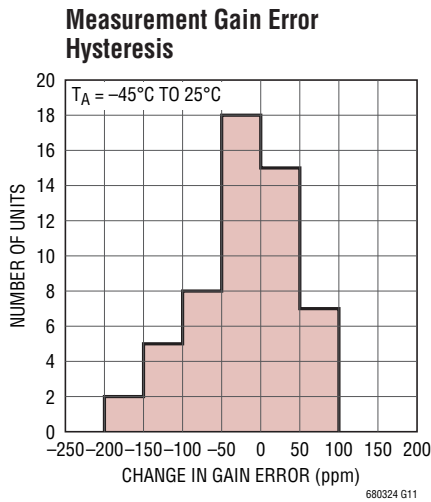
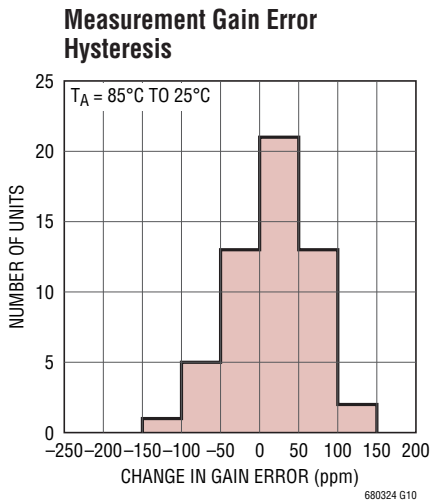
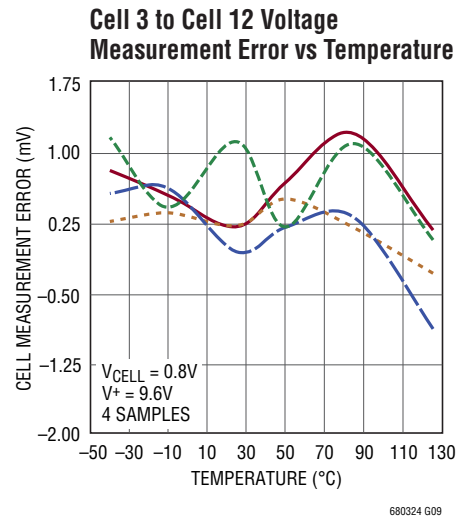
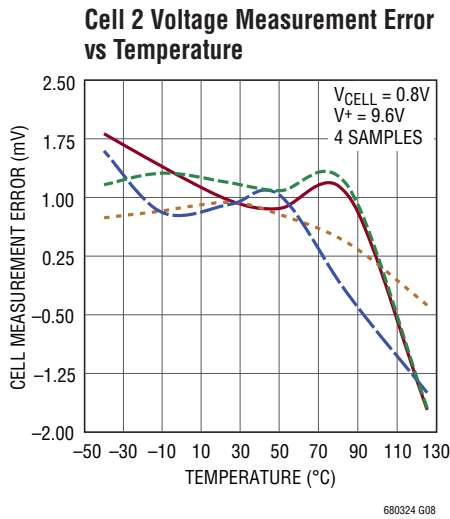
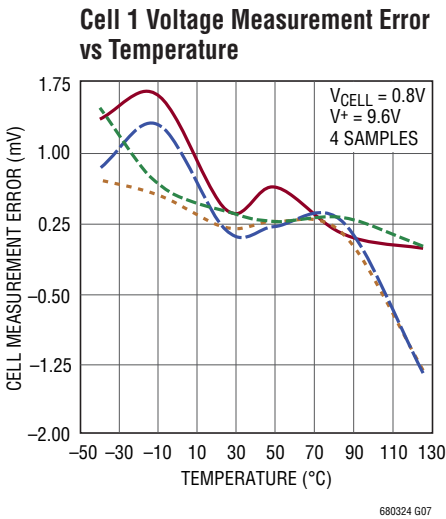
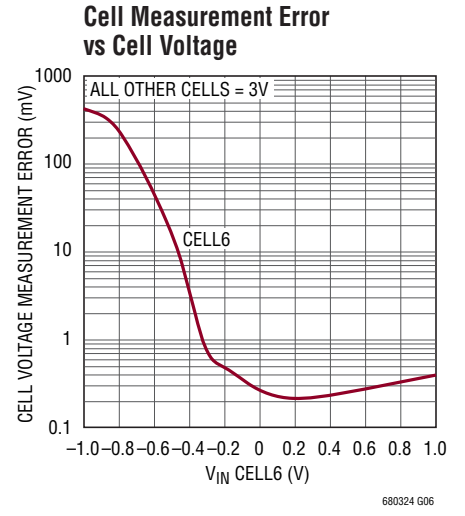
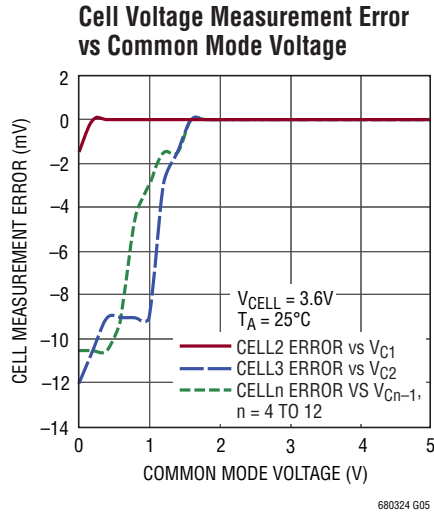
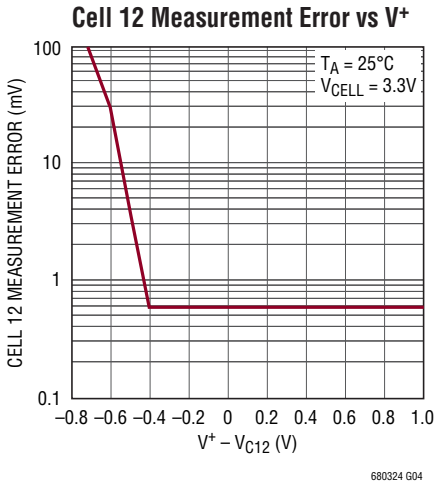
**Cell Measurement Error vs Input RC Values**



**Cell Measurement Error vs Input RC Values**

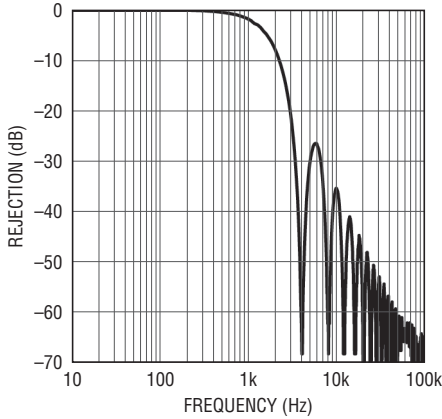


TYPICAL PERFORMANCE CHARACTERISTICS



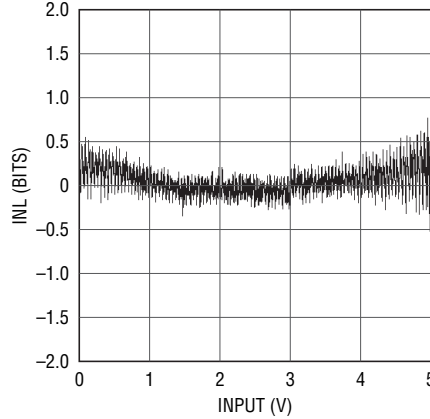
# TYPICAL PERFORMANCE CHARACTERISTICS

**ADC Normal Mode Rejection vs Frequency**



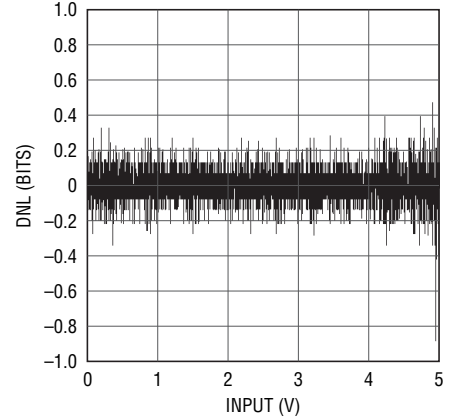
680324 G13

**ADC INL**



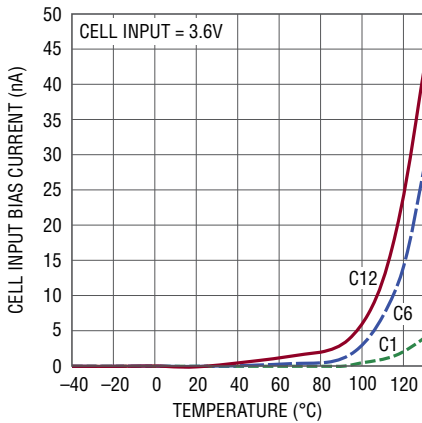
680324 G14

**ADC DNL**



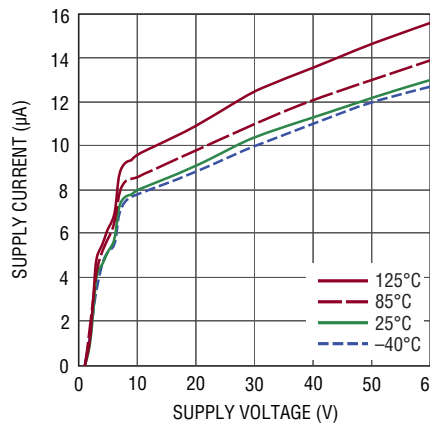
680324 G15

**Cell Input Bias Current During Standby and Hardware Shutdown**



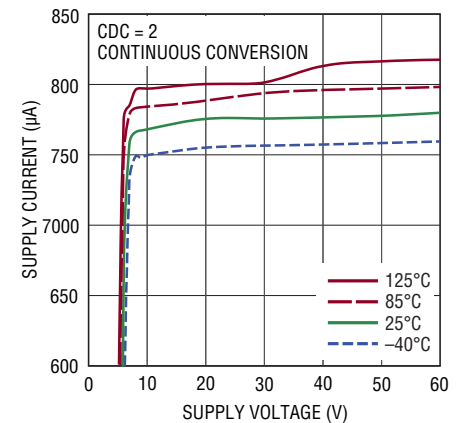
680324 G16

**Standby Supply Current vs Supply Voltage**



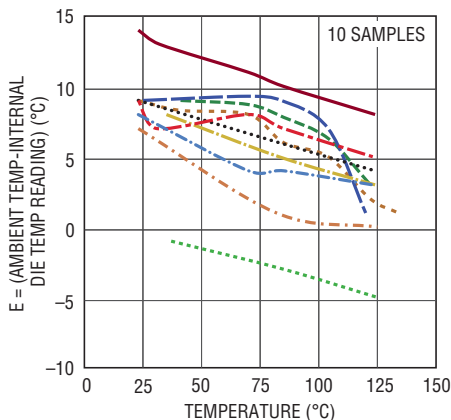
680324 G17

**Supply Current vs Supply Voltage During Continuous Conversions**



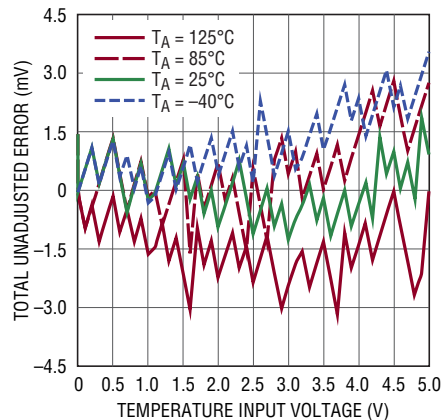
680324 G18

**Internal Die Temperature Measurement Error Using an 8mV/°K Scale Factor**



680324 G19

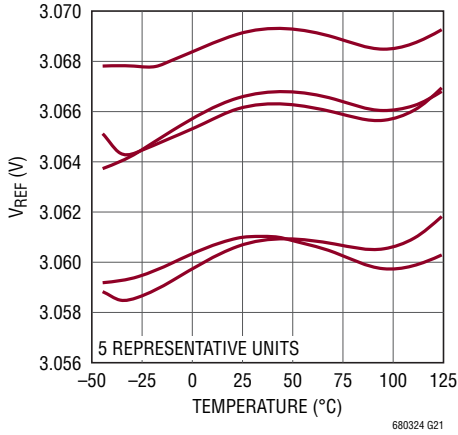
**External Temperature Measurement Total Unadjusted Error vs Input**



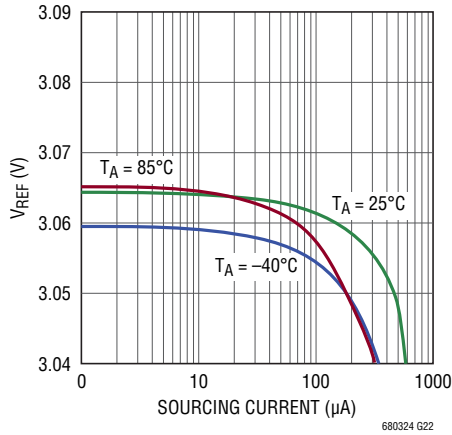
680324 G20

## TYPICAL PERFORMANCE CHARACTERISTICS

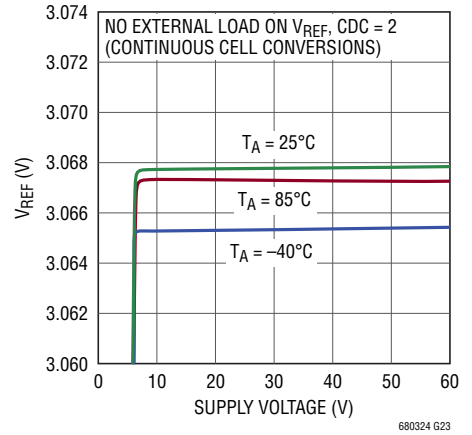
**V<sub>REF</sub> Output Voltage vs Temperature**



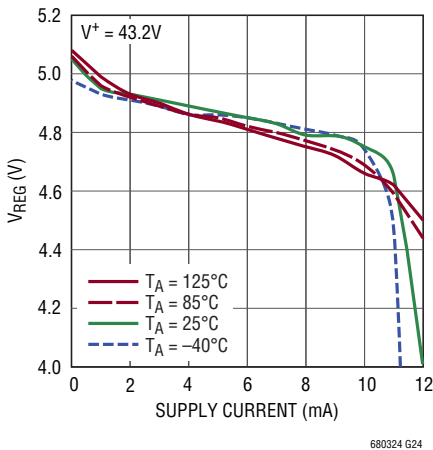
**V<sub>REF</sub> Load Regulation**



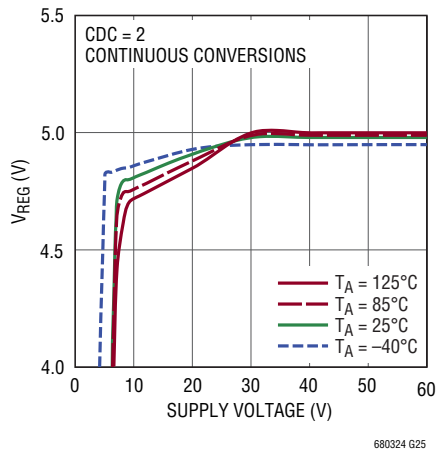
**V<sub>REF</sub> Line Regulation**



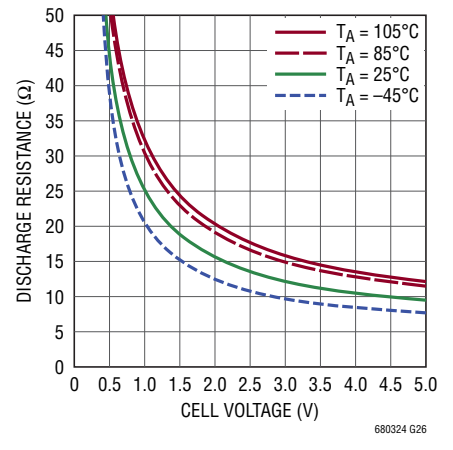
**V<sub>REG</sub> Load Regulation**



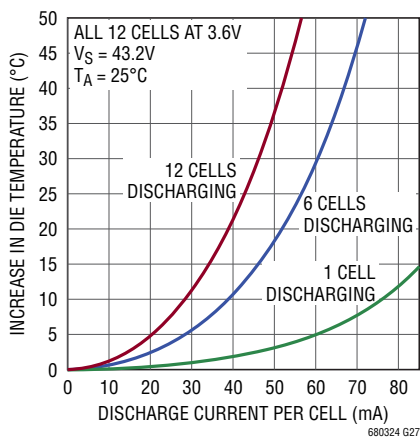
**V<sub>REG</sub> Line Regulation**



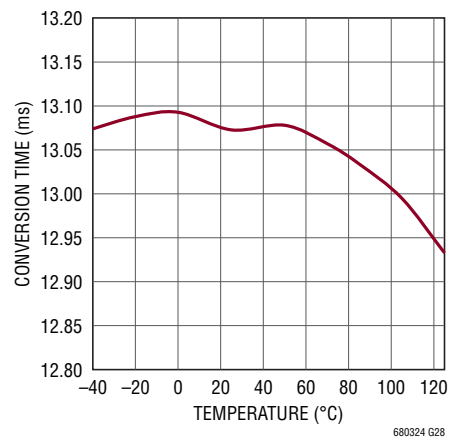
**Internal Discharge Resistance vs Cell Voltage**



**Die Temperature Increase vs Discharge Current in Internal FET**



**Cell Conversion Time**





## PIN FUNCTIONS

To ensure pin compatibility with LTC6802-2, the LTC6803-2 is configured such that the bottom cell input (C0) is connected internally to the negative supply voltage ( $V^-$ ). The LTC6803-4 offers a unique pinout with an input for the bottom cell (C0). This simple functional difference offers the possibility for enhanced cell 1 measurement accuracy, enhanced SPI noise tolerance and simplified wiring. More information is provided in the Applications Information section entitled Advantages of Kelvin Connection for C0.

**$V^+$  (Pin 1):** Positive Power Supply. Pin 1 can be tied to the most positive potential in the battery stack or an isolated power supply.  $V^+$  must be greater than the most positive potential in the battery stack under normal operation. With an isolated power supply, LTC6803 can be turned off by simply shutting down  $V^+$ .

**C12, C11, C10, C9, C8, C7, C6, C5, C4, C3, C2, C1 (Pins 2, 4, 6, 8, 10, 12, 14, 16, 18, 20, 22, 24):** C1 through C12 are the inputs for monitoring battery cell voltages. The negative terminal of the bottom cell should be tied to the  $V^-$  pin for the LTC6803-2, and the C0 pin for the LTC6803-4. The next lowest potential is tied to C1 and so forth. See the figures in the Applications Information section for more details on connecting batteries to the LTC6803-2 and LTC6803-4. The LTC6803 can monitor a series connection of up to 12 cells. Each cell in a series connection must have a common mode voltage that is greater than or equal to the cells below it. 100mV negative voltages are permitted.

**C0 (Pin 26 on LTC6803-4):** Negative Terminal of the Bottom Battery Cell. C0 and  $V^-$  form a Kelvin connection to eliminate effect of voltage drop at the  $V^-$  trace.

**S12, S11, S10, S9, S8, S7, S6, S5, S4, S3, S2, S1 (Pins 3, 5, 7, 9, 11, 13, 15, 17, 19, 21, 23, 25):** S1 through S12 pins are used to balance battery cells. If one cell in a series becomes overcharged, an S output can be used to discharge the cell. Each S output has an internal N-channel MOSFET for discharging. See the Block Diagram. The NMOS has a maximum on-resistance of 20 $\Omega$ . An external resistor

should be connected in series with the NMOS to dissipate heat outside of the LTC6803 package. When using the internal MOSFETs to discharge cells, the die temperature should be monitored. See Power Dissipation and Thermal Shutdown in the Applications Information section. The S pins also feature an internal pull-up PMOS. This allows the S pins to be used to drive the gates of external MOSFETs for higher discharge capability.

**$V^-$  (Pin 26 on LTC6803-2/Pin 27 on LTC6803-4):** Connect  $V^-$  to the most negative potential in the series of cells.

**NC (Pin 27 on LTC6803-2/Pin 28 on LTC6803-4):** This pin is not used and is internally connected to  $V^-$  through 10 $\Omega$ . It can be left unconnected or connected to  $V^-$  on the PCB.

**$V_{TEMP1}$ ,  $V_{TEMP2}$  (Pins 28, 29 on LTC6803-2/Pins 29, 30, on LTC6803-4):** Temperature Sensor Inputs. The ADC will measure the voltage on  $V_{TEMPn}$  with respect to  $V^-$  and store the result in the TMP register. The ADC measurements are relative to the  $V_{REF}$  pin voltage. Therefore a simple thermistor and resistor combination connected to the  $V_{REF}$  pin can be used to monitor temperature. The  $V_{TEMP}$  inputs can also be general purpose ADC inputs.

**$V_{REF}$  (Pin 30 on LTC6803-2/Pin 31 on LTC6803-4):** 3.065V Voltage Reference Output. This pin should be bypassed with a 1 $\mu$ F capacitor. The  $V_{REF}$  pin can drive a 100k resistive load connected to  $V^-$ . Larger loads should be buffered with an LT6003 op amp, or a similar device.

**$V_{REG}$  (Pin 31 on LTC6803-2/Pin 32 on LTC6803-4):** Linear Voltage Regulator Output. This pin should be bypassed with a 1 $\mu$ F capacitor. The  $V_{REG}$  is capable of sourcing up to 4mA to an external load. The  $V_{REG}$  pin does not sink current.

**TOS (Pin 32 on LTC6803-2/Pin 33 on LTC6803-4):** Top of Stack Input. The TOS pin can be tied to  $V_{REG}$  or  $V^-$  for the LTC6803. The state of the TOS pin alters the operation of the SDO pin in the toggle polling mode. See the Serial Port description.

**NC (Pin 33 on LTC6803-2):** No Connection.

## PIN FUNCTIONS

**WDTB (Pin 34):** Watchdog Timer Output (Active Low). If there is no valid command received in 1 to 2.5 seconds, the WDTB output is asserted. The WDTB pin is an open-drain NMOS output. When asserted it pulls the output down to  $V^-$  and resets the configuration register to its default state.

**GPIO1, GPIO2 (Pins 35, 36):** General Purpose Input/Output. By writing a “0” to a GPIO configuration register bit, the open-drain output is activated and the pin is pulled to  $V^-$ . By writing a logic “1” to the configuration register bit, the corresponding GPIO pin is high impedance. An external resistor is required to pull the pin up to  $V_{REG}$ . By reading the configuration register locations GPIO1 and GPIO2, the state of the pins can be determined. For example, if a “0” is written to register bit GPIO1, a “0” is always read back because the output N-channel MOSFET pulls Pin 35 to  $V^-$ . If a “1” is written to register bit GPIO1, the pin becomes high impedance. Either a “1” or a “0” is read back, depending on the voltage present at Pin 35. The GPIOs makes it possible to turn-on/off circuitry around the LTC6803-4, or read logic values from a circuit around the LTC6803-4. The GPIO pins should be connected to  $V^-$  if not used.

**A0, A1, A2, A3 (Pins 37, 38, 39, 40):** Address Inputs. These pins are tied to  $V_{REG}$  or  $V^-$ . The state of the address pins ( $V_{REG} = 1$ ,  $V^- = 0$ ) determines the LTC6803 address. See Address Commands in the Serial Port subsection of the Applications Information section.

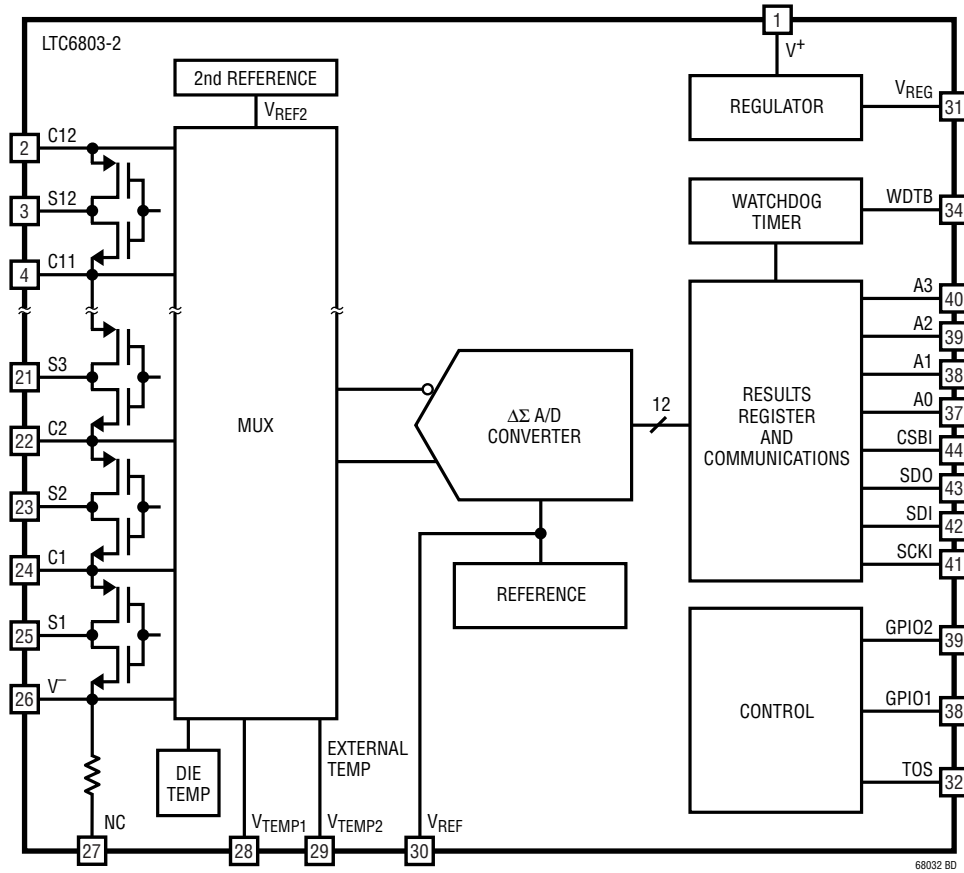
**SCKI (Pin 41):** Serial Clock Input. The SCKI pin interfaces to any logic gate (TTL levels). See Serial Port in the Applications Information section.

**SDI (Pin 42):** Serial Data Input. The SDI pin interfaces to any logic gate (TTL levels). See Serial Port in the Applications Information section.

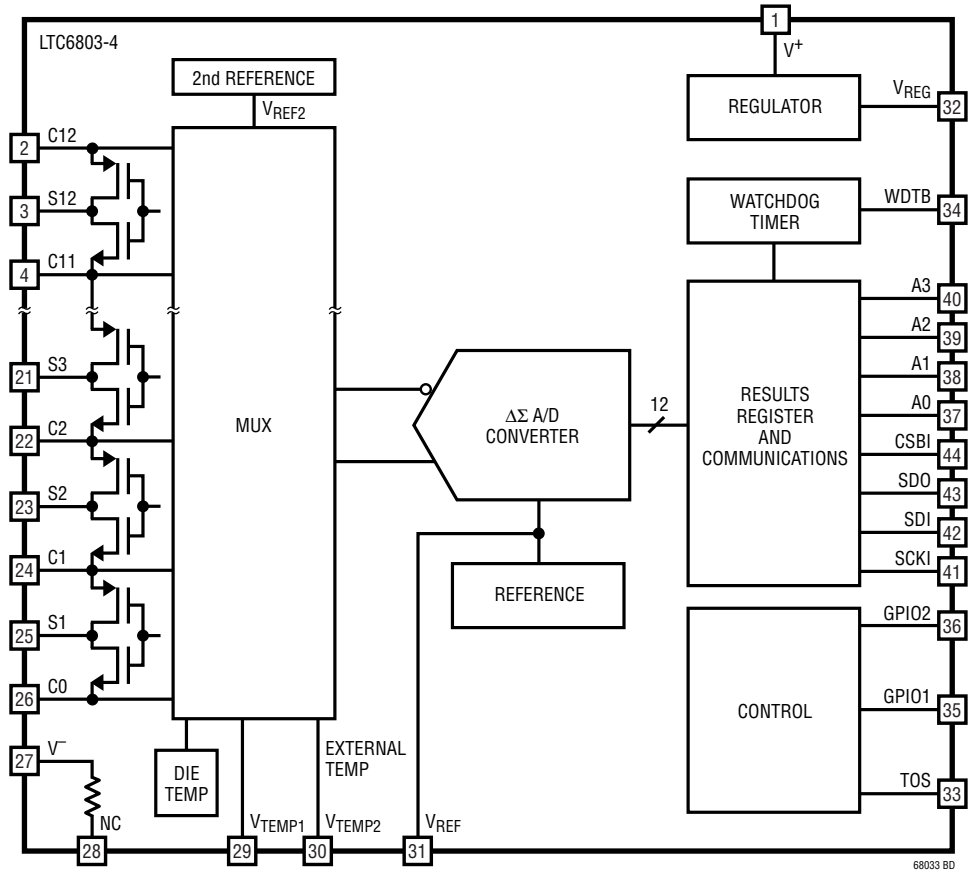
**SDO (Pin 43):** Serial Data Output. The SDO pin is an NMOS open-drain output. A pull-up resistor is needed on SDO. See Serial Port in the Applications Information section.

**CSBI (Pin 44):** Chip Select (Active Low) Input. The CSBI pin interfaces to any logic gate (TTL levels). See Serial Port in the Applications Information section.

**BLOCK DIAGRAMS**

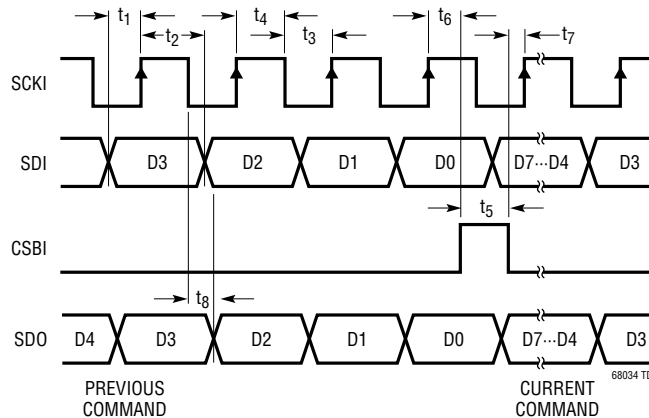


**BLOCK DIAGRAMS**



**TIMING DIAGRAM**

Timing Diagram of the Serial Interface



## OPERATION

### THEORY OF OPERATION

The LTC6803 is a data acquisition IC capable of measuring the voltage of 12 series connected battery cells. An input multiplexer connects the batteries to a 12-bit delta-sigma analog-to-digital converter (ADC). An internal 8ppm/°C voltage reference combined with the ADC give the LTC6803 its outstanding measurement accuracy. The inherent benefits of the delta-sigma ADC versus other types of ADCs (e.g., successive approximation) are explained in Advantages of Delta-Sigma ADCs in the Applications Information section.

Communication between the LTC6803 and a host processor is handled by a SPI compatible serial interface. Multiple LTC6803s can be connected to a single serial interface. As shown in Figure 1, the LTC6803-2s or LTC6803-4s are isolated from one another using digital isolators. A unique addressing scheme allows all the LTC6803-2s or LTC6803-4s to connect to the same serial port of the host processor. Further explanation of the LTC6803-2/LTC6803-4 can be found in the Serial Port section of the data sheet.

The LTC6803 also contains circuitry to balance cell voltages. Internal MOSFETs can be used to discharge cells. These internal MOSFETs can also be used to control external balancing circuits. Figure 1 illustrates cell balancing by internal discharge. Figure 3 shows the S pin controlling an external balancing circuit. It is important to note that the LTC6803 makes no decisions about turning on/off the internal MOSFETs. This is completely controlled by the host processor. The host processor writes values to a configuration register inside the LTC6803 to control the switches. The watchdog timer on the LTC6803 can be used to turn off the discharge switches if communication with the host processor is interrupted.

Since the LTC6803-4 separates C0 and V<sup>-</sup>, C0 can have higher potential than V<sup>-</sup>. This feature is very useful for super capacitors and fuel cells whose voltages can go to zero or slightly negative. In such a case, the stacked cells can't power the LTC6803-4. In Figure 1, an isolated 36V and -3.6V provides power to each LTC6803-4. This allows the C1 to C12 pins to go up to 3.6V below C0.

The LTC6803 has three modes of operation: hardware shutdown, standby and measure. Hardware shutdown is a true zero power mode. Standby mode is a power saving state where all circuits except the serial interface are turned off. In measure mode, the LTC6803 is used to measure cell voltages and store the results in memory. Measure mode will also monitor each cell voltage for overvoltage (OV) and undervoltage (UV) conditions.

### HARDWARE SHUTDOWN MODE

The V<sup>+</sup> pin can be disconnected from the C pins and the battery pack. If the V<sup>+</sup> supply pin is 0V, the LTC6803 will typically draw less than 1nA from the battery cells. All circuits inside the IC are off. It is not possible to communicate with the IC when V<sup>+</sup> = 0V. See the Applications Information section for hardware shutdown circuits.

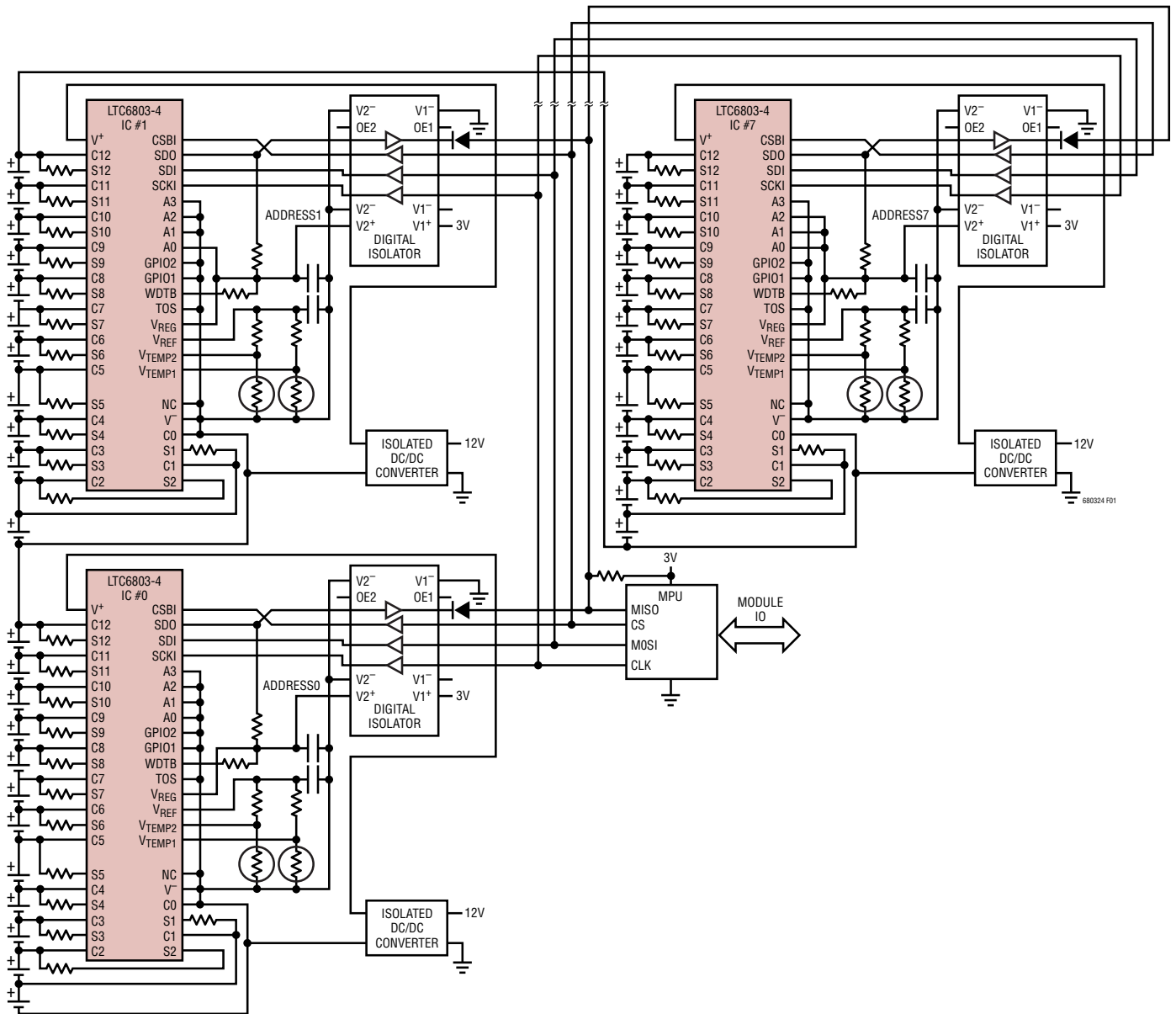
### STANDBY MODE

The LTC6803 defaults (powers up) to standby mode. Standby mode is the lowest supply current state with a supply connected. Standby current is typically 12μA when V<sup>+</sup> = 44V. All circuits are turned off except the serial interface and the voltage regulator. For the lowest possible standby current consumption, all SPI logic inputs should be set to logic 1 level. The LTC6803 can be programmed for standby mode by setting the comparator duty cycle configuration bits, CDC[2:0], to 0. If the part is put into standby mode while ADC measurements are in progress, the measurements will be interrupted and the cell voltage registers will be in an indeterminate state. To exit standby mode, the CDC bits must be written to a value other than 0.

### MEASURE MODE

The LTC6803 is in measure mode when the CDC bits are programmed with a value from 1 to 7. When CDC = 1 the LTC6803 is on and waiting for a start ADC conversion command. When CDC is 2 through 7 the IC monitors each cell voltage and produces an interrupt signal on the SDO pin indicating all cell voltages are within the UV and OV limits. The value of the CDC bits determines how often the cells are monitored, and, how much average supply current is consumed.

## OPERATION



**Figure 1. Simplified 96-Cell Battery or Supercapacitor, Isolated Interface.** In this Diagram the Battery Negative is Isolated from the Module Ground. Isolated Power Supplies Each LTC6803-4. Opto-Couplers or Digital Isolators Allow Each IC to Be Addressed Individually

## OPERATION

There are two methods for indicating the UV/OV interrupt status: toggle polling (using a 1kHz output signal) and level polling (using a high or low output signal). The polling methods are described in the Serial Port section. The UV/OV limits are set by the  $V_{UV}$  and  $V_{OV}$  values in the configuration registers. When a cell voltage exceeds the UV/OV limits a bit is set in the flag register. The UV and OV flag status for each cell can be determined using the *Read Flag Register Group*.

An ADC measurement can be requested at any time when the IC is in measure mode. To initiate cell voltage measurements while in measure mode, a Start A/D Conversion command is sent. After the command has been sent, the LTC6803 will indicate the A/D converter status via toggle polling or level polling (as described in the Serial Port section). During cell voltage measurement commands, the UV and OV flags (within the flag register group) are also updated. When the measurements are complete, the part will continue monitoring UV and OV conditions at the rate designated by the CDC bits. Note that there is a 5 $\mu$ s window during each UV/OV comparison cycle where an ADC measurement request may be missed. This is an unlikely event. For example, the comparison cycle is 2 seconds when CDC = 7. Use the CLEAR command to detect missing ADC commands.

### Operating with Less than 12 Cells

If fewer than 12 cells are connected to the LTC6803, the unused input channels must be masked. The MCxI bits in the configuration registers are used to mask channels. In addition, the LTC6803 can be configured to automatically bypass the measurements of the top 2 cells, reducing power consumption and measurement time. If the CELL10 bit is high, the inputs for cell 11 and cell 12 are masked and only the bottom 10-cell voltages will be measured. By default, the CELL10 bit is low, enabling measurement of all 12-cell voltages. Additional information regarding operation with less than 12 cells is provided in the applications section.

### ADC RANGE AND OUTPUT FORMAT

The ADC outputs a 12-bit code with an offset of 0x200 (512 decimal). The input voltage can be calculated as:

$$V_{IN} = (DOUT - 512) \cdot V_{LSB}; V_{LSB} = 1.5mV$$

where DOUT is a decimal integer.

For example, a 0V input will have an output reading of 0x200. An ADC reading of 0x000 means the input was -0.768V. The absolute ADC measurement range is -0.768V to 5.376V. The resolution is  $V_{LSB} = 1.5mV = (5.376 + 0.768)/2^{12}$ . The useful range is -0.3V to 5V. This range allows monitoring supercapacitors which could have small negative voltage. Inputs below -0.3V exceed the absolute maximum rating of the C pins. If all inputs are negative, the ADC range is reduced to -0.1V. Inputs above 5V will have noisy ADC readings (see Typical Performance Characteristics).

### ADC MEASUREMENTS DURING CELL BALANCING

The primary cell voltage ADC measurement commands (STCVAD and STOWAD) automatically turn off a cell's discharge switch while its voltage is being measured. The discharge switches for the cell above and the cell below will also be turned off during the measurement. For example, discharge switches S4, S5 and S6 will be off while cell 5 is being measured. The UV/OV comparison conversions in CDC modes 2 through 7 also cause a momentary turn-off of the discharge switch. For example, switches S4, S5 and S6 will be off while cell 5 is checked for a UV/OV condition.

In some systems it may be desirable to allow discharging to continue during cell voltage measurements. The cell voltage ADC conversion commands STCVDC and STOWDC allow the discharge switches to remain on during cell voltage measurements. This feature allows the system to perform a self test to verify the discharge functionality.

## OPERATION

### ADC REGISTER CLEAR COMMAND

The clear command can be used to clear the cell voltage registers and temperature registers. The clear command will set all registers to 0xFF. This command is used to make sure conversions are being made. When cell voltages are stable, ADC results could stay the same. If a start ADC conversion command is sent to the LTC6803 but the PEC fails to match then the command is ignored and the voltage register contents also will not change. Sending a *clear* command then reading back register contents is a way to make sure LTC6803 is accepting commands and performing new measurements. The clear command takes 1ms to execute.

### ADC CONVERTER SELF TEST

Two self-test commands can be used to verify the functionality of the digital portions of the ADC. The self tests also verify the cell voltage registers and temperature monitoring registers. During these self tests a test signal is applied to the ADC. If the circuitry is working properly all cell voltage and temperature registers will contain 0x555 or 0xAAA. The time required for the self-test function is the same as required to measure all cell voltages or all temperature sensors.

### MULTIPLEXER AND REFERENCE SELF TEST

The LTC6803 uses a multiplexer to measure the 12 battery cell inputs as well as the temperature signals. A diagnostic command is used to validate the function of the multiplexer, the temperature sensor, and the precision reference circuit. Diagnostic registers will be updated after each diagnostic test. The *muxfail* bit of the registers will be 1 if the multiplexer self test fails.

A constant voltage generated by the 2nd reference circuit will be measured by the ADC and the results written to the diagnostic register. The voltage reading should be 2.5V  $\pm$ 16%. Readings outside this range indicate a failure of the temperature sensor circuit, the precision reference circuit, or the analog portion of the ADC. The DAGN command executes in 16.4ms, which is the sum of the 12-cell  $t_{\text{CYCLE}}$  and the 3 temperature  $t_{\text{CYCLE}}$ . The diagnostic read command can be used to read the registers.

### USING THE GENERAL PURPOSE INPUTS/OUTPUTS (GPIO1, GPIO2)

The LTC6803 has two general purpose digital input/output pins. By writing a GPIO configuration register bit to a logic low, the open-drain output can be activated. The GPIOs give the user the ability to turn on/off circuitry around the LTC6803. One example might be a circuit to verify the operation of the system.

When a GPIO configuration bit is written to a logic high, the corresponding GPIO pin may be used as an input. The read back value of that bit will be the logic level that appears at the GPIO pins.

### WATCHDOG TIMER CIRCUIT

The LTC6803 includes a watchdog timer circuit. The watchdog timer is on for all modes except CDC = 0. The watchdog timer times out if no valid command is received for 1 to 2.5 seconds. When the watchdog timer circuit times out, the WDTB open-drain output is asserted low and the configuration register bits are reset to their default (power-up) state. In the power-up state, CDC is 0, the S outputs are off and the IC is in the low power standby mode. The WDTB pin remains low until a valid command is received. The watchdog timer provides a means to turn off cell discharging should communications to the MPU be interrupted. There is no need for the watchdog timer at CDC = 0 since discharging is off. The open-drain WDTB output can be wire OR'd with other external open-drain signals. Pulling the WDTB signal low will not initiate a watchdog event, but the CNFG0 bit 7 will reflect the state of this signal. Therefore, the WDTB pin can be used to monitor external digital events if desired.

### SERIAL PORT

#### Overview

The LTC6803-2/LTC6803-4 has an SPI bus compatible serial port. Devices can be connected in parallel, using digital isolators. Multiple devices are uniquely identified by a part address determined by the A0 to A3 pins. Physical Layer on the LTC6803-2/LTC6803-4, four pins comprise the serial interface: CSBI, SCKI, SDI and SDO. The SDO



## OPERATION

and SDI may be tied together, if desired, to form a single, bi-directional port. Four address pins (A0 to A3) set the part address for address commands. The TOS pin designates the top device (logic high) for polling commands. All interface pins are voltage mode, with voltage levels sensed with respect to the  $V^-$  supply. See Figure 1.

### Data Link Layer

**Clock Phase And Polarity:** The LTC6803 SPI compatible interface is configured to operate in a system using CPHA = 1 and CPOL = 1. Consequently, data on SDI must be stable during the rising edge of SCKI.

**Data Transfers:** Every byte consists of 8 bits. Bytes are transferred with the most significant bit (MSB) first. On a write, the data value on SDI is latched into the device on the rising edge of SCKI (Figure 2). Similarly, on a read, the data value output on SDO is valid during the rising edge of SCKI and transitions on the falling edge of SCKI (Figure 3).

CSBI must remain low for the entire duration of a command sequence, including between a command byte and subsequent data. On a write command, data is latched in on the rising edge of CSBI.

### Network Layer

**PEC Byte:** The packet error code (PEC) byte is a cyclic redundancy check (CRC) value calculated for all of the bits in a register group in the order they are passed, using the initial PEC value of 01000001 and the following characteristic polynomial:

$$x^8 + x^2 + x + 1$$

To calculate the 8-bit PEC value, a simple procedure can be established:

1. Initialize the PEC to 0100 0001.
2. For each bit DIN coming into the register group, set  $INO = DIN \text{ XOR } PEC[7]$ , then  $IN1 = PEC[0] \text{ XOR } IN0$ ,  $IN2 = PEC[1] \text{ XOR } IN0$ .
3. Update the 8-bit PEC as  $PEC[7] = PEC[6]$ ,  $PEC[6] = PEC[5]$ , .....  $PEC[3] = PEC[2]$ ,  $PEC[2] = IN2$ ,  $PEC[1] = IN1$ ,  $PEC[0] = IN0$ .
4. Go back to step 2 until all data are shifted. The 8-bit result is the final PEC byte.

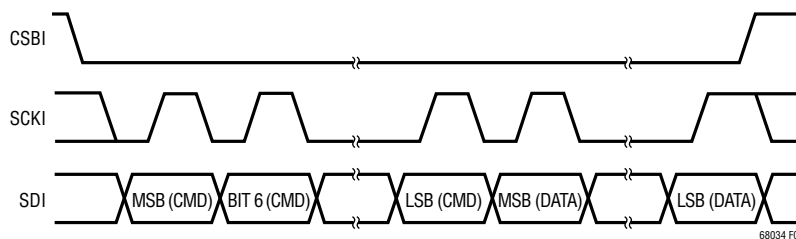


Figure 2. Transmission Format (Write)

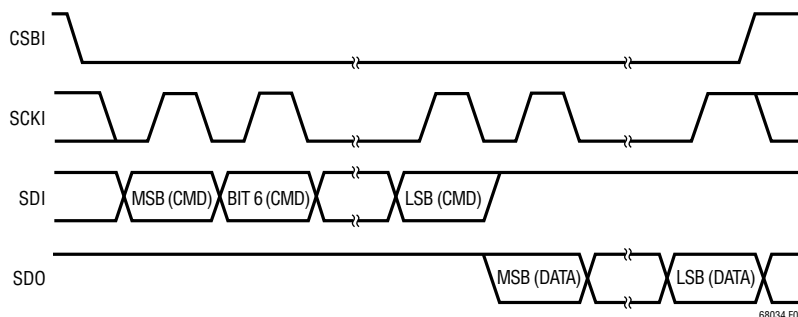


Figure 3. Transmission Format (Read)

## OPERATION

An example to calculate the PEC is listed in Table 1 and Figure 4. The PEC of the 1 byte data 0x01 is computed as 0xC7 after the last bit of the byte streamed in. For multiple byte data, PEC is valid at the end (LSB) of the last byte.

LTC6803 calculates PEC byte for any command or data received and compares it with the PEC byte following the command or data. The command or data is regarded as valid only if the PEC bytes match. LTC6803 also attaches the calculated PEC byte at the end of the data it shifts out.

**Broadcast Commands:** A broadcast command is one to which all devices on the bus will respond, regardless of device address. See the Bus Protocols and Commands sections. With broadcast commands all devices can be sent commands simultaneously. This is useful for ADC conversion and polling commands. It can also be used with write commands when all parts are being written with the same data. Broadcast read commands should not be used in the parallel configuration.

**Address Commands:** An address command is one in which only the addressed device on the bus responds. The first byte of an address command consists of 4 bits with a

value of 1000 and 4 address bits. Following the address command is its PEC byte. The third and fourth bytes are the command byte and its PEC byte respectively. See the Bus Protocols and Commands section.

**Polling Methods:** For ADC conversions, three methods can be used to determine ADC completion. First, a controller can start an ADC conversion and wait for the specified conversion time to pass before reading the results. The second method is to hold CSBI low after an ADC start command has been sent. The ADC conversion status will be output on SDO (Figure 5). A problem with the second method is that the controller is not free to do other serial communication while waiting for ADC conversions to complete. The third method overcomes this limitation. The controller can send an ADC start command, perform other tasks, and then send a poll ADC converter status (PLADC) command to determine the status of the ADC conversions (Figure 6). For OV/UV interrupt status, the poll interrupt status (PLINT) command can be used to quickly determine whether any cell in a stack is in an overvoltage or undervoltage condition (Figure 6).

**Table 1. Procedure to Calculate PEC Byte**

| CLOCK CYCLE | DIN | IN0 | IN1 | IN2 | PEC[7] | PEC[6] | PEC[5] | PEC[4] | PEC[3] | PEC[2] | PEC[1] | PEC[0] |
|-------------|-----|-----|-----|-----|--------|--------|--------|--------|--------|--------|--------|--------|
| 0           | 0   | 0   | 1   | 0   | 0      | 1      | 0      | 0      | 0      | 0      | 0      | 1      |
| 1           | 0   | 1   | 1   | 0   | 1      | 0      | 0      | 0      | 0      | 0      | 1      | 0      |
| 2           | 0   | 0   | 1   | 1   | 0      | 0      | 0      | 0      | 0      | 0      | 1      | 1      |
| 3           | 0   | 0   | 0   | 1   | 0      | 0      | 0      | 0      | 0      | 1      | 1      | 0      |
| 4           | 0   | 0   | 0   | 0   | 0      | 0      | 0      | 0      | 1      | 1      | 0      | 0      |
| 5           | 0   | 0   | 0   | 0   | 0      | 0      | 0      | 1      | 1      | 0      | 0      | 0      |
| 6           | 0   | 0   | 0   | 0   | 0      | 0      | 1      | 1      | 0      | 0      | 0      | 0      |
| 7           | 1   | 1   | 1   | 1   | 0      | 1      | 1      | 0      | 0      | 0      | 0      | 0      |
| 8           |     |     |     |     | 1      | 1      | 0      | 0      | 0      | 1      | 1      | 1      |

OPERATION

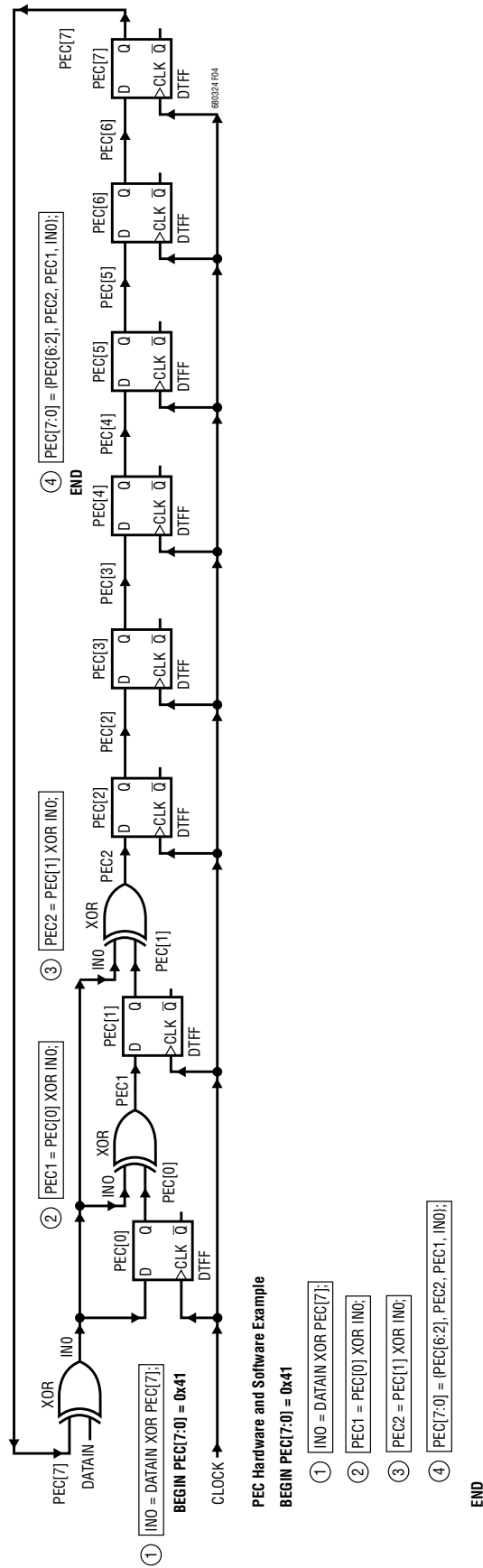


Figure 4

## OPERATION

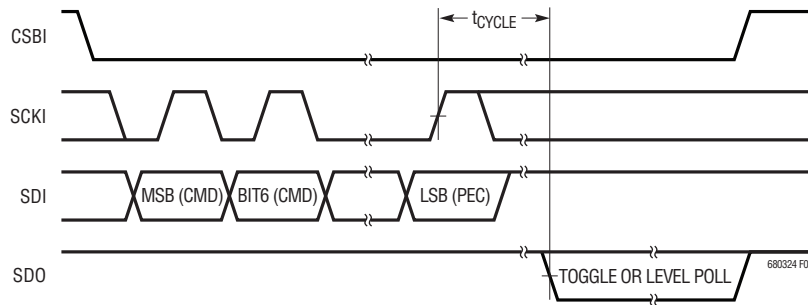


Figure 5. Transmission Format (ADC Conversion and Poll)

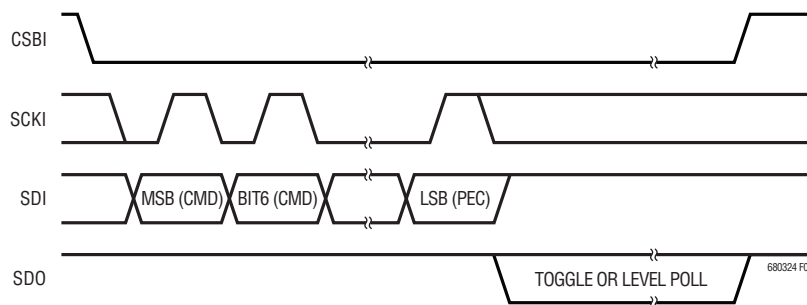


Figure 6. Transmission Format (PLADC Conversion or PLINT)

**Toggle Polling:** Toggle polling allows a robust determination both of device states and of the integrity of the connections between the devices in a stack. Toggle polling is enabled when the LVLPL bit is low. After entering a polling command, the data out line will be driven by the slave devices based on their status. When polling for the ADC converter status, data out will be low when any device is busy performing an ADC conversion and will toggle at 1kHz when no device is busy. Similarly, when polling for interrupt status, the output will be low when any device has an interrupt condition and will toggle at 1kHz when none has an interrupt condition.

**Toggle Polling—Address Polling:** The addressed device drives the SDO line based on its state alone—low for busy/in interrupt, toggling at 1kHz for not busy/not in interrupt.

**Toggle Polling—Parallel Broadcast Polling:** No part address is sent, so all devices respond simultaneously. If a device is busy/in interrupt, it will pull SDO low. If a device is not busy/not in interrupt, then it will release the SDO line (TOS = 0) or attempt to toggle the SDO line at 1kHz (TOS = 1). The master controller pulls CSBI high to exit polling.

**Level Polling:** Level polling is enabled when the LVLPL bit is high. After entering a polling command, the data out line will be driven by the slave devices based on their status. When polling for the ADC converter status, data out will be low when any device is busy performing an ADC conversion and will be high when no device is busy. Similarly, when polling for interrupt status, the output will be low when any device has an interrupt condition and will be high when none has an interrupt condition.

**Level Polling—Address Polling:** The addressed device drives the SDO line based on its state alone—pulled low for busy/in interrupt, released for not busy/not in interrupt.

**Level polling—Parallel Broadcast Polling:** No part address is sent, so all devices respond simultaneously. If a device is busy/in interrupt, it will pull SDO low. If a device is not busy/not in interrupt, then it will release the SDO line. If any device is busy or in interrupt the SDO signal will be low. If all devices are not busy/not in interrupt, the SDO signal will be high. The master controller pulls CSBI high to exit polling.

## OPERATION

### Revision Code

The diagnostic register group contains a 2-bit revision code. If software detection of device revision is necessary, then contact the factory for details. Otherwise, the code can be ignored. In all cases, however, the values of all bits must be used when calculating the packet error code (PEC) byte on data reads.

### Bus Protocols

There are 6 different protocol formats, depicted in Table 3 through Table 8. Table 2 is the key for reading the protocol diagrams.

**Table 2. Protocol Key**

|     |                          |  |                       |
|-----|--------------------------|--|-----------------------|
| PEC | Packet Error Code        |  | Master-to-Slave       |
| N   | Number of Bits           |  | Slave-to-Master       |
| ... | Continuation of Protocol |  | Complete Byte of Data |

**Table 3. Broadcast Poll Command**

|         |     |           |
|---------|-----|-----------|
| 8       | 8   |           |
| Command | PEC | Poll Data |

**Table 4. Broadcast Read**

|         |     |               |     |                |     |
|---------|-----|---------------|-----|----------------|-----|
| 8       | 8   | 8             | ... | 8              | 8   |
| Command | PEC | Data Byte Low | ... | Data Byte High | PEC |

A bus collision will occur if multiple devices are on the same serial bus.

**Table 5. Broadcast Write**

|         |     |               |     |                |     |
|---------|-----|---------------|-----|----------------|-----|
| 8       | 8   | 8             | ... | 8              | 8   |
| Command | PEC | Data Byte Low | ... | Data Byte High | PEC |

**Table 6. Address Poll Command**

|      |         |     |         |     |           |
|------|---------|-----|---------|-----|-----------|
| 4    | 4       | 8   | 8       | 8   |           |
| 1000 | Address | PEC | Command | PEC | Poll Data |

**Table 7. Address Read**

|      |         |     |         |     |               |     |                |     |
|------|---------|-----|---------|-----|---------------|-----|----------------|-----|
| 4    | 4       | 8   | 8       | 8   | 8             | ... | 8              | 8   |
| 1000 | Address | PEC | Command | PEC | Data Byte Low | ... | Data Byte High | PEC |

See Serial Command examples

**Table 8. Address Write**

|      |         |     |         |     |               |     |                |     |
|------|---------|-----|---------|-----|---------------|-----|----------------|-----|
| 4    | 4       | 8   | 8       | 8   | 8             | ... | 8              | 8   |
| 1000 | Address | PEC | Command | PEC | Data Byte Low | ... | Data Byte High | PEC |

## OPERATION

### Commands

**Table 9. Command Codes and PEC Bytes**

| COMMAND DESCRIPTION                                | NAME    |             | CODE | PEC |
|--|---------|-------------|------|-----|
| Write Configuration Register Group                 | WRCFG   |             | 01   | C7  |
| Read Configuration Register Group                  | RDCFG   |             | 02   | CE  |
| Read All Cell Voltage Group                        | RDCV    |             | 04   | DC  |
| Read Cell Voltages 1-4                             | RDCVA   |             | 06   | D2  |
| Read Cell Voltages 5-8                             | RDCVB   |             | 08   | F8  |
| Read Cell Voltages 9-12                            | RDCVC   |             | 0A   | F6  |
| Read Flag Register Group                           | RDFLG   |             | 0C   | E4  |
| Read Temperature Register Group                    | RDTMP   |             | 0E   | EA  |
| Start Cell Voltage ADC Conversions and Poll Status | STCVAD  | All         | 10   | B0  |
|  |         | Cell 1      | 11   | B7  |
|  |         | Cell 2      | 12   | BE  |
|  |         | Cell 3      | 13   | B9  |
|  |         | Cell 4      | 14   | AC  |
|  |         | Cell 5      | 15   | AB  |
|  |         | Cell 6      | 16   | A2  |
|  |         | Cell 7      | 17   | A5  |
|  |         | Cell 8      | 18   | 88  |
|  |         | Cell 9      | 19   | 8F  |
|  |         | Cell 10     | 1A   | 86  |
|  |         | Cell 11     | 1B   | 81  |
|  |         | Cell 12     | 1C   | 94  |
|  |         | Clear (FF)  | 1D   | 93  |
| Self Test1   | 1E      | 9A          |      |     |
| Self Test2   | 1F      | 9D          |      |     |
| Start Open-Wire ADC Conversions and Poll Status    | STOWAD  | All         | 20   | 20  |
|  |         | Cell 1      | 21   | 27  |
|  |         | Cell 2      | 22   | 2E  |
|  |         | Cell 3      | 23   | 29  |
|  |         | Cell 4      | 24   | 3C  |
|  |         | Cell 5      | 25   | 3B  |
|  |         | Cell 6      | 26   | 32  |
|  |         | Cell 7      | 27   | 35  |
|  |         | Cell 8      | 28   | 18  |
|  |         | Cell 9      | 29   | 1F  |
|  |         | Cell 10     | 2A   | 16  |
|  |         | Cell 11     | 2B   | 11  |
|  |         | Cell 12     | 2C   | 4   |
| Start Temperature ADC Conversions and Poll Status  | STTMPAD | All         | 30   | 50  |
|  |         | External1   | 31   | 57  |
|  |         | External2   | 32   | 5E  |
|  |         | Internal    | 33   | 59  |
|  |         | Self Test 1 | 3E   | 7A  |
|  |         | Self Test 2 | 3F   | 7D  |
| Poll ADC Converter Status                          | PLADC   |             | 40   | 07  |
| Poll Interrupt Status                              | PLINT   |             | 50   | 77  |
| Start Diagnose and Poll Status                     | DAGN    |             | 52   | 79  |
| Read Diagnostic Register                           | RDDGNR  |             | 54   | 6B  |

## OPERATION

**Table 9. Command Codes and PEC Bytes (continued)**

| COMMAND DESCRIPTION  | NAME   |         | CODE | PEC |
|--|--------|---------|------|-----|
| Start Cell Voltage ADC Conversions and Poll Status, with Discharge Permitted | STCVDC | All     | 60   | E7  |
|  |        | Cell 1  | 61   | E0  |
|  |        | Cell 2  | 62   | E9  |
|  |        | Cell 3  | 63   | EE  |
|  |        | Cell 4  | 64   | FB  |
|  |        | Cell 5  | 65   | FC  |
|  |        | Cell 6  | 66   | F5  |
|  |        | Cell 7  | 67   | F2  |
|  |        | Cell 8  | 68   | DF  |
|  |        | Cell 9  | 69   | D8  |
|  |        | Cell 10 | 6A   | D1  |
|  |        | Cell 11 | 6B   | D6  |
|  |        | Cell 12 | 6C   | C3  |
| Start Open-Wire ADC Conversions and Poll Status, with Discharge Permitted    | STOWDC | All     | 70   | 97  |
|  |        | Cell 1  | 71   | 90  |
|  |        | Cell 2  | 72   | 99  |
|  |        | Cell 3  | 73   | 9E  |
|  |        | Cell 4  | 74   | 8B  |
|  |        | Cell 5  | 75   | 8C  |
|  |        | Cell 6  | 76   | 85  |
|  |        | Cell 7  | 77   | 82  |
|  |        | Cell 8  | 78   | AF  |
|  |        | Cell 9  | 79   | A8  |
|  |        | Cell 10 | 7A   | A1  |
|  |        | Cell 11 | 7B   | A6  |
|  |        | Cell 12 | 7C   | B3  |

**Table 10. Configuration (CFG) Register Group**

| REGISTER | RD/WR | BIT 7  | BIT 6  | BIT 5  | BIT 4  | BIT 3  | BIT 2  | BIT 1  | BIT 0  |
|----------|-------|--------|--------|--------|--------|--------|--------|--------|--------|
| CFGR0    | RD/WR | WDT    | GPI02  | GPI01  | LVLPL  | CELL10 | CDC[2] | CDC[1] | CDC[0] |
| CFGR1    | RD/WR | DCC8   | DCC7   | DCC6   | DCC5   | DCC4   | DCC3   | DCC2   | DCC1   |
| CFGR2    | RD/WR | MC4I   | MC3I   | MC2I   | MC1I   | DCC12  | DCC11  | DCC10  | DCC9   |
| CFGR3    | RD/WR | MC12I  | MC11I  | MC10I  | MC9I   | MC8I   | MC7I   | MC6I   | MC5I   |
| CFGR4    | RD/WR | VUV[7] | VUV[6] | VUV[5] | VUV[4] | VUV[3] | VUV[2] | VUV[1] | VUV[0] |
| CFGR5    | RD/WR | VOV[7] | VOV[6] | VOV[5] | VOV[4] | VOV[3] | VOV[2] | VOV[1] | VOV[0] |

## OPERATION

**Table 11. Cell Voltage (CV) Register Group**

| REGISTER | RD/WR | BIT 7    | BIT 6    | BIT 5   | BIT 4   | BIT 3    | BIT 2    | BIT 1   | BIT 0   |
|----------|-------|----------|----------|---------|---------|----------|----------|---------|---------|
| CVR00    | RD    | C1V[7]   | C1V[6]   | C1V[5]  | C1V[4]  | C1V[3]   | C1V[2]   | C1V[1]  | C1V[0]  |
| CVR01    | RD    | C2V[3]   | C2V[2]   | C2V[1]  | C2V[0]  | C1V[11]  | C1V[10]  | C1V[9]  | C1V[8]  |
| CVR02    | RD    | C2V[11]  | C2V[10]  | C2V[9]  | C2V[8]  | C2V[7]   | C2V[6]   | C2V[5]  | C2V[4]  |
| CVR03    | RD    | C3V[7]   | C3V[6]   | C3V[5]  | C3V[4]  | C3V[3]   | C3V[2]   | C3V[1]  | C3V[0]  |
| CVR04    | RD    | C4V[3]   | C4V[2]   | C4V[1]  | C4V[0]  | C3V[11]  | C3V[10]  | C3V[9]  | C3V[8]  |
| CVR05    | RD    | C4V[11]  | C4V[10]  | C4V[9]  | C4V[8]  | C4V[7]   | C4V[6]   | C4V[5]  | C4V[4]  |
| CVR06    | RD    | C5V[7]   | C5V[6]   | C5V[5]  | C5V[4]  | C5V[3]   | C5V[2]   | C5V[1]  | C5V[0]  |
| CVR07    | RD    | C6V[3]   | C6V[2]   | C6V[1]  | C6V[0]  | C5V[11]  | C5V[10]  | C5V[9]  | C5V[8]  |
| CVR08    | RD    | C6V[11]  | C6V[10]  | C6V[9]  | C6V[8]  | C6V[7]   | C6V[6]   | C6V[5]  | C6V[4]  |
| CVR09    | RD    | C7V[7]   | C7V[6]   | C7V[5]  | C7V[4]  | C7V[3]   | C7V[2]   | C7V[1]  | C7V[0]  |
| CVR10    | RD    | C8V[3]   | C8V[2]   | C8V[1]  | C8V[0]  | C7V[11]  | C7V[10]  | C7V[9]  | C7V[8]  |
| CVR11    | RD    | C8V[11]  | C8V[10]  | C8V[9]  | C8V[8]  | C8V[7]   | C8V[6]   | C8V[5]  | C8V[4]  |
| CVR12    | RD    | C9V[7]   | C9V[6]   | C9V[5]  | C9V[4]  | C9V[3]   | C9V[2]   | C9V[1]  | C9V[0]  |
| CVR13    | RD    | C10V[3]  | C10V[2]  | C10V[1] | C10V[0] | C9V[11]  | C9V[10]  | C9V[9]  | C9V[8]  |
| CVR14    | RD    | C10V[11] | C10V[10] | C10V[9] | C10V[8] | C10V[7]  | C10V[6]  | C10V[5] | C10V[4] |
| CVR15*   | RD    | C11V[7]  | C11V[6]  | C11V[5] | C11V[4] | C11V[3]  | C11V[2]  | C11V[1] | C11V[0] |
| CVR16*   | RD    | C12V[3]  | C12V[2]  | C12V[1] | C12V[0] | C11V[11] | C11V[10] | C11V[9] | C11V[8] |
| CVR17*   | RD    | C12V[11] | C12V[10] | C12V[9] | C12V[8] | C12V[7]  | C12V[6]  | C12V[5] | C12V[4] |

\* Registers CVR15, CVR16, and CVR17 can only be read if the CELL10 bit in register CFGR0 is low

**Table 12. Flag (FLG) Register Group**

| REGISTER | RD/WR | BIT 7  | BIT 6  | BIT 5  | BIT 4  | BIT 3 | BIT 2 | BIT 1 | BIT 0 |
|----------|-------|--------|--------|--------|--------|-------|-------|-------|-------|
| FLGR0    | RD    | C4OV   | C4UV   | C3OV   | C3UV   | C2OV  | C2UV  | C1OV  | C1UV  |
| FLGR1    | RD    | C8OV   | C8UV   | C7OV   | C7UV   | C6OV  | C6UV  | C5OV  | C5UV  |
| FLGR2    | RD    | C12OV* | C12UV* | C11OV* | C11UV* | C10OV | C10UV | C9OV  | C9UV  |

\* Bits C11UV, C12UV, C11OV and C12OV are always low if the CELL10 bit in register CFGR0 is high

**Table 13. Temperature (TMP) Register Group**

| REGISTER | RD/WR | BIT 7     | BIT 6     | BIT 5    | BIT 4    | BIT 3     | BIT 2     | BIT 1    | BIT 0    |
|----------|-------|-----------|-----------|----------|----------|-----------|-----------|----------|----------|
| TMPR0    | RD    | ETMP1[7]  | ETMP1[6]  | ETMP1[5] | ETMP1[4] | ETMP1[3]  | ETMP1[2]  | ETMP1[1] | ETMP1[0] |
| TMPR1    | RD    | ETMP2[3]  | ETMP2[2]  | ETMP2[1] | ETMP2[0] | ETMP1[11] | ETMP1[10] | ETMP1[9] | ETMP1[8] |
| TMPR2    | RD    | ETMP2[11] | ETMP2[10] | ETMP2[9] | ETMP2[8] | ETMP2[7]  | ETMP2[6]  | ETMP2[5] | ETMP2[4] |
| TMPR3    | RD    | ITMP[7]   | ITMP[6]   | ITMP[5]  | ITMP[4]  | ITMP[3]   | ITMP[2]   | ITMP[1]  | ITMP[0]  |
| TMPR4    | RD    | NA        | NA        | NA       | THSD     | ITMP[11]  | ITMP[10]  | ITMP[9]  | ITMP[8]  |

**Table 14. Packet Error Code (PEC)**

| REGISTER | RD/WR | BIT 7  | BIT 6  | BIT 5  | BIT 4  | BIT 3  | BIT 2  | BIT 1  | BIT 0  |
|----------|-------|--------|--------|--------|--------|--------|--------|--------|--------|
| PEC      | RD    | PEC[7] | PEC[6] | PEC[5] | PEC[4] | PEC[3] | PEC[2] | PEC[1] | PEC[0] |

**Table 15. Diagnostic Register Group**

| REGISTER | RD/WR | BIT 7  | BIT 6  | BIT 5   | BIT 4  | BIT 3   | BIT 2   | BIT 1  | BIT 0  |
|----------|-------|--------|--------|---------|--------|---------|---------|--------|--------|
| DGNR0    | RD    | REF[7] | REF[6] | REF[5]  | REF[4] | REF[3]  | REF[2]  | REF[1] | REF[0] |
| DGNR1    | RD    | REV[1] | REV[0] | MUXFAIL | NA     | REF[11] | REF[10] | REF[9] | REF[8] |

680324fa



## OPERATION

**Table 16. Memory Bit Descriptions**

| NAME            | DESCRIPTION                       | VALUES  |                                   |  |                               |
|-----------------|-----------------------------------|---|-----------------------------------|--|-------------------------------|
|                 |                                   | CDC   | UV/OV COMPARATOR PERIOD           | V <sub>REF</sub> POWERED DOWN BETWEEN MEASUREMENTS | CELL VOLTAGE MEASUREMENT TIME |
| CDC             | Comparator Duty Cycle             | 0 (Default)   | N/A (Comparator Off Standby Mode) | Yes  | N/A                           |
|                 |                                   | 1   | N/A (Comparator Off)              | No   | 13ms                          |
|                 |                                   | 2   | 13ms                              | No   | 13ms                          |
|                 |                                   | 3   | 130ms                             | No   | 13ms                          |
|                 |                                   | 4   | 500ms                             | No   | 13ms                          |
|                 |                                   | 5   | 130ms                             | Yes  | 21ms                          |
|                 |                                   | 6   | 500ms                             | Yes  | 21ms                          |
|                 |                                   | 7   | 2000ms                            | Yes  | 21ms                          |
| CELL10          | 10-Cell Mode                      | 0 = 12-cell mode (default); 1 = 10-cell mode  |                                   |  |                               |
| LVLPL           | Level Polling Mode                | 0 = toggle polling (default); 1 = level polling   |                                   |  |                               |
| GPIO1           | GPIO1 Pin Control                 | Write: 0 = GPIO1 pin pull-down on; 1 = GPIO1 pin pull-down off (default)<br>Read: 0 = GPIO1 pin at logic '0'; 1 = GPIO1 pin at logic '1'                  |                                   |  |                               |
| GPIO2           | GPIO2 Pin Control                 | Write: 0 = GPIO2 pin pull-down on; 1 = GPIO2 pin pull-down off (default)<br>Read: 0 = GPIO2 pin at logic '0'; 1 = GPIO2 pin at logic '1'                  |                                   |  |                               |
| WDT             | Watchdog Timer                    | Read: 0 = WDTB pin at logic '0'; 1 = WDTB pin at logic '1'  |                                   |  |                               |
| DCCx            | Discharge Cell x                  | x = 1..12 0 = turn off shorting switch for cell 'x' (default); 1 = turn on shorting switch  |                                   |  |                               |
| V <sub>UV</sub> | Undervoltage Comparison Voltage*  | Comparison voltage = (V <sub>UV</sub> - 31) • 16 • 1.5mV (Default V <sub>UV</sub> = 0)  |                                   |  |                               |
| V <sub>OV</sub> | Overvoltage Comparison Voltage*   | Comparison voltage = (V <sub>OV</sub> - 32) • 16 • 1.5mV (Default V <sub>OV</sub> = 0)  |                                   |  |                               |
| MCxI            | Mask Cell x Interrupts            | x = 1..12 0 = enable interrupts for cell 'x' (default)<br>1 = turn off interrupts and clear flags for cell 'x'  |                                   |  |                               |
| CxV             | Cell x Voltage*                   | x = 1..12 12-bit ADC measurement value for cell 'x'<br>cell voltage for cell 'x' = (CxV - 512) • 1.5mV<br>reads as 0xFFF while A/D conversion in progress |                                   |  |                               |
| CxUV            | Cell x Undervoltage Flag          | x = 1..12 cell voltage compared to V <sub>UV</sub> comparison voltage<br>0 = cell 'x' not flagged for undervoltage condition; 1 = cell 'x' flagged        |                                   |  |                               |
| CxOV            | Cell x Overvoltage Flag           | x = 1..12 cell voltage compared to V <sub>OV</sub> comparison voltage<br>0 = cell 'x' not flagged for overvoltage condition; 1 = cell 'x' flagged         |                                   |  |                               |
| ETMPx           | External Temperature Measurement* | Temperature measurement voltage = (ETMPx - 512) • 1.5mV   |                                   |  |                               |
| THSD            | Thermal Shutdown Status           | 0 = thermal shutdown has not occurred; 1 = thermal shutdown has occurred<br>Status cleared to '0' on read of Thermal Register Group                       |                                   |  |                               |
| REV             | Revision Code                     | Device revision code  |                                   |  |                               |
| ITMP            | Internal Temperature Measurement* | Temperature measurement voltage = (ITMP - 512) • 1.5mV = 8mV • T(°K)  |                                   |  |                               |
| PEC             | Packet Error Code                 | Cyclic redundancy check (CRC) value   |                                   |  |                               |
| REF             | Reference Voltage for Diagnostics | This reference voltage = (REF - 512) • 1.5mV. Normal range is within 2.1V to 2.9V   |                                   |  |                               |

\*Voltage equations use the decimal value of the registers, 0 to 4095 for 12-bit and 0 to 255 for 8-bit registers

## OPERATION

### SERIAL COMMAND EXAMPLES

LTC6803-2/LTC6803-4 (Addressable Configuration)

Examples below use a configuration of three stacked devices: bottom (B), middle (M), and top (T)

Write Configuration Registers (Figure 7) (Broadcast Write)

1. Pull CSBI low
2. Send WRCFG command and its PEC byte
3. Send CFGR0 byte, then CFGR1, ...CFGR5, PEC byte (All devices on the bus receive the same data)
4. Pull CSBI high; data latched into all devices on rising edge of CSBI. S pins respond as data latched

Calculation of serial interface time for sequence above:

Number of devices in stack = N

Number of bytes in sequence = B = 2 command byte and 7 data bytes = 2 + 7

Serial port frequency per bit = F

Time =  $(1/F) * B * 8 \text{ bits/byte} = (1/F) * (2 + 7) * 8$

Time for 3-cell example above, with 1MHz serial port =  $(1/1000000) * (2 + 7) * 8 = 72\mu\text{s}$

Read Cell Voltage Registers (12 battery cells, addressable read)

1. Pull CSBI low
2. Send Address and PEC byte for bottom device
3. Send RDCV command and its PEC byte
4. Read CVR00 byte of bottom device, then CVR01 (B), CVR02 (B), ... CVR17 (B), and then PEC (B)
5. Pull CSBI high
6. Repeat steps 1-5 for middle device and top device

Calculation of serial interface time for sequence above:

Number of devices in stack = N

Number of bytes in sequence = B = 2 address bytes, 2 command bytes, and 18 data bytes plus 1 PEC byte =  $23 * N$

Serial port frequency per bit = F

Time =  $(1/F) * B * 8 \text{ bits/byte} = (1/F) * (23 * N) * 8$

Time for 3-cell example above, with 1MHz serial port =  $(1/1000000) * (23 * N) * 8 = 552\mu\text{s}$

## OPERATION

### Start Cell Voltage ADC Conversions and Poll Status (Broadcast Command with Toggle Polling)

1. Pull CSBI low
2. Send STCVAD command and its PEC byte (all devices in stack start ADC conversions simultaneously)
3. SDO output of all devices in parallel pulled low for approximately 12ms
4. SDO output toggles at 1kHz rate, indicating conversions complete for all devices
5. Pull CSBI high to exit polling

### Poll Interrupt Status (Level Polling)

1. Pull CSBI low
2. Send Address and PEC bytes for bottom device
3. Send PLINT command and PEC bytes
4. SDO output from bottom device pulled low if any device has an interrupt condition; otherwise, SDO high
5. Pull CSBI high to exit polling
6. Repeat steps 1-5 for middle device and top device

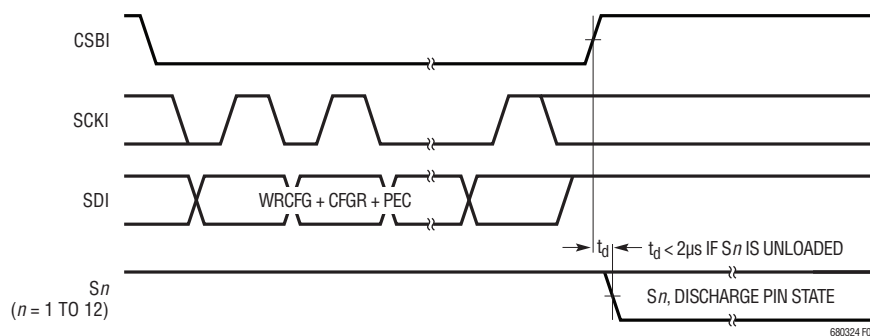


Figure 7. S Pin Action and SPI Transmission

## APPLICATIONS INFORMATION

### DIFFERENCE BETWEEN THE LTC6803-2 AND LTC6803-4

The **only** difference between the LTC6803-2 and the LTC6803-4 is the bonding of the  $V^-$  and  $C0$  pins. The  $V^-$  and  $C0$  are separate signals on every LTC6803 die. In the LTC6803-2 package, the  $V^-$  and  $C0$  signals are shorted together by bonding these signals to the same pin. In the LTC6803-4 package,  $V^-$  and  $C0$  are separate pins. Therefore, the LTC6803-2 is pin compatible with the LTC6802-2. For new designs the LTC6803-4 pinout allows a Kelvin connection to  $C0$  (Figure 22).

### CELL VOLTAGE FILTERING

The LTC6803 employs a sampling system to perform its analog-to-digital conversions and provides a conversion result that is essentially an average over the 0.5ms conversion window, provided there isn't noise aliasing with respect to the delta-sigma modulator rate of 512kHz. This indicates that a lowpass filter with 30dB attenuation at 500kHz may be beneficial. Since the delta-sigma integration bandwidth is about 1kHz, the filter corner need not be lower than this to assure accurate conversions.

Series resistors of  $100\Omega$  may be inserted in the input paths without introducing meaningful measurement error. Shunt capacitors may be added from the cell inputs to  $V^-$ , creating RC filtering as shown in Figure 8. The cell balancing MOSFET in Figure 11 can cause a small transient when it switches on and off. Keeping the cutoff frequency of the RC filter relatively high will allow adequate settling prior to the actual conversion. A delay of about  $500\mu\text{s}$  is provided in the ADC timing, so a 16kHz LPF is optimal ( $100\Omega$ ,  $0.1\mu\text{F}$ ) and offers about 30dB of noise rejection.

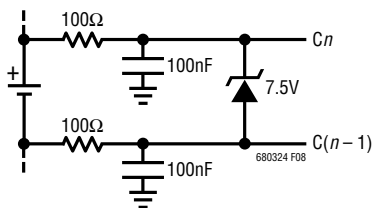


Figure 8. Adding RC Filtering to the Cell Inputs (One Cell Connection Shown)

Larger series resistors and shunt capacitors can be used to lower the filter bandwidth. The measurement error due to the larger component values is a complex function of the component values. The error also depends on how often measurements are made. Table 17 is an example. In each example a 3.6V cell is being measured and the error is displayed in millivolts. There is a RC filter in series with inputs  $C1$  through  $C12$ . There is no filter in series with  $C0$ . There is an interaction between cells. This is why the errors for  $C1$  and  $C12$  differ from  $C2$  through  $C11$ .

Table 17. Cell Measurement Errors vs Input RC Values

|                              | R = 100Ω,<br>C = 0.1μF | R = 1k,<br>C = 0.1μF | R = 1k,<br>C = 1μF | R = 10k,<br>C = 3.3μF |
|------------------------------|------------------------|----------------------|--------------------|-----------------------|
| Cell 1 Error (mV, LTC6803-2) | 0.1                    | 4.5                  | 1.5                | 1.5                   |
| Cell 2 to Cell 12 (mV)       | 1                      | 9                    | 3                  | 0.5                   |

For the LTC6803-2, no resistor should be placed in series with the  $V^-$  pin. Because the supply current flows from the  $V^-$  pin, any resistance on this pin could generate a significant conversion error for cell 1, and the error of cell 1 caused by the RC filter differs from errors of cell 2 to cell 2.

### OPEN-CONNECTION DETECTION

When a cell input ( $C$  pin) is open, it affects two cell measurements. Figure 9 shows an open connection to  $C3$ , in an application without external filtering between the  $C$  pins and the cells. During normal ADC conversions (that is, using the STCVAD command), the LTC6803 will give near zero readings for  $B3$  and  $B4$  when  $C3$  is open. The zero reading for  $B3$  occurs because during the measurement of  $B3$ , the ADC input resistance will pull  $C3$  to the  $C2$  potential. Similarly, during the measurement of  $B4$ , the ADC input resistance pulls  $C3$  to the  $C4$  potential.

Figure 10 shows an open connection at the same point in the cell stack as Figure 9, but this time there is an external filtering network still connected to  $C3$ . Depending on the value of the capacitor remaining on  $C3$ , a normal measurement of  $B3$  and  $B4$  may not give near-zero readings, since the  $C3$  pin is not truly open. In fact, with a large external capacitance on  $C3$ , the  $C3$  voltage will be charged midway

## APPLICATIONS INFORMATION

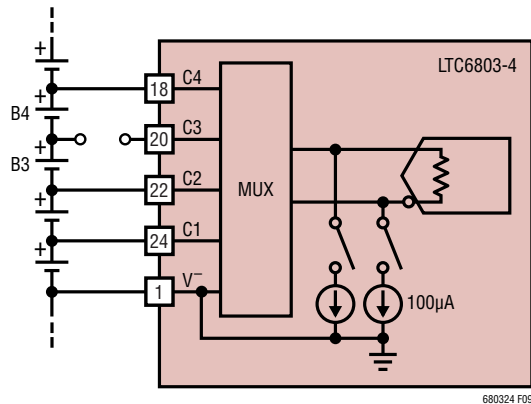


Figure 9. Open Connection

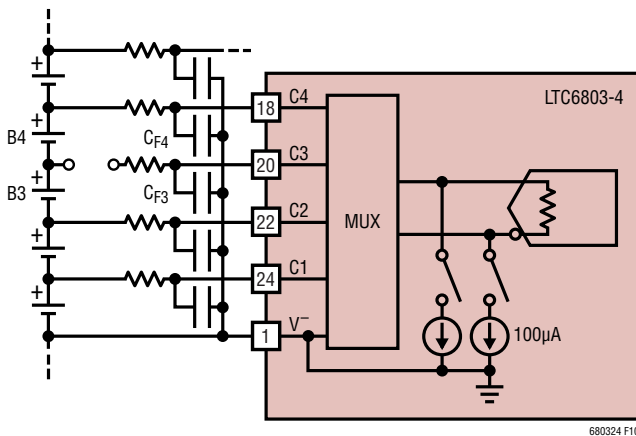


Figure 10. Open Connection with RC Filtering

between C2 and C4 after several cycles of measuring cells B3 and B4. Thus the measurements for B3 and B4 may indicate a valid cell voltage when in fact the exact state of B3 and B4 is unknown.

To reliably detect an open connection, the command STOWAD is provided. With this command, two 100µA current sources are connected to the ADC inputs and turned on during all cell conversions. Referring again to Figure 10, with the STOWAD command, the C3 pin will be pulled down by the 100µA current source during the B3 cell measurement AND during the B4 cell measurement. This will tend to decrease the B3 measurement result and

increase the B4 measurement result relative to the normal STCVAD command. The biggest change is observed in the B4 measurement when C3 is open. So, the best method to detect an open wire at input C3 is to look for an increase in the value of battery connected between inputs C3 and C4 (battery B4).

The following algorithm can be used to detect an open connection to cell pin  $C_n$ :

1. Issue a STOWAD command (with 100µA sources connected).
2. Issue a RDCV command and store all cell measurements into array  $CELLA(n)$ .
3. Issue the 2nd STOWAD command (with 100µA sources connected).
4. Issue the 2nd RDCV command and store all cell measurements into array  $CELLB(n)$ .
5. For battery cells, if  $CELLA(1) < 0$  or  $CELLB(1) < 0$ ,  $V^-$  must be open.  
If  $CELLA(12) < 0$  or  $CELLB(12) < 0$ , C12 must be open.  
For  $n = 2$  to 11, if  $CELLB(n+1) - CELLA(n+1) > 200\text{mV}$ , or  $CELLB(n+1)$  reaches the full scale of 5.375V, then  $C_n$  is open.

The 200mV threshold is chosen to provide tolerance for measurement errors. For a system with the capacitor connected to  $C_n$  larger than 0.5µF, repeating step 3 several times will discharge the external capacitor enough to meet the criteria.

If the top C pin is open yet  $V^+$  is still connected, then the best way to detect an open connection to the top C pin is by comparing the sum of all cell measurements using the STCVAD command to an auxiliary measurement of the sum of all the cells, using a method similar to that shown in Figure 19. A significantly lower result for the sum of all 12 cells suggests an open connection to the top C pin, provided it was already determined that no other C pin is open.

## APPLICATIONS INFORMATION

### USING THE S PINS AS DIGITAL OUTPUTS OR GATE DRIVERS

The S outputs include an internal pull-up PMOS. Therefore the S pins will behave as a digital output when loaded with a high impedance, e.g. the gate of an external MOSFET. For applications requiring high battery discharge currents, connect a discrete PMOS switch device and suitable discharge resistor to the cell, and the gate terminal to the S output pin, as illustrated in Figure 11.

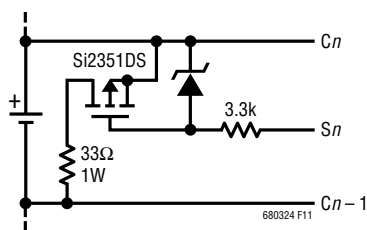


Figure 11. External Discharge FET Connection (One Cell Shown)

### POWER DISSIPATION AND THERMAL SHUTDOWN

The MOSFETs connected to the Pins S1 through S12 can be used to discharge battery cells. An external resistor should be used to limit the power dissipated by the MOSFETs. The maximum power dissipation in the MOSFETs is limited by the amount of heat that can be tolerated by the LTC6803. Excessive heat results in elevated die temperatures. The electrical characteristics for the LTC6803 I-grade are guaranteed for die temperatures up to 85°C. Little or no degradation will be observed in the measurement accuracy for die temperatures up to 105°C. Damage may occur above 150°C, therefore the recommended maximum die temperature is 125°C.

To protect the LTC6803 from damage due to overheating, a thermal shutdown circuit is included. Overheating of the device can occur when dissipating significant power in the cell discharge switches. The problem is exacerbated when operating with a large voltage between  $V^+$  and  $V^-$ .

The thermal shutdown circuit is enabled whenever the device is not in standby mode (see Modes of Operation). It will also be enabled when any current mode input or output is sinking or sourcing current. If the temperature

detected on the device goes above approximately 145°C, the configuration registers will be reset to default states, turning off all discharge switches and disabling ADC conversions. When a thermal shutdown has occurred, the THSD bit in the temperature register group will go high. The bit is cleared by performing a read of the temperature registers (RDTMP command).

Since thermal shutdown interrupts normal operation, the internal temperature monitor should be used to determine when the device temperature is approaching unacceptable levels.

### USING THE LTC6803 WITH LESS THAN 12 CELLS

If the LTC6803 is powered by the stacked cells, the minimum number of cells is governed by the supply voltage requirements of the LTC6803. The sum of the cell voltages must be 10V to guarantee that all electrical specifications are met.

Figure 12 shows an example of the LTC6803-4 when used to monitor seven cells. The lowest C inputs connect to the seven cells and the upper C inputs connect to C12. Other configurations, e.g., 9 cells, would be configured in the same way: the lowest C inputs connected to the battery cells and the unused C inputs connected to C12. The unused inputs will result in a reading of 0V for those channels.

The ADC can also be commanded to measure a stack of 10 or 12 cells, depending on the state of the CELL10 bit in the control register. The ADC can also be commanded to measure any individual cell voltage.

### FAULT PROTECTION

Care should always be taken when using high energy sources such as batteries. There are numerous ways that systems can be (mis)configured when considering the assembly and service procedures that might affect a battery system during its useful lifespan. Table 18 shows the various situations that should be considered when planning protection circuitry. The first five scenarios are to be anticipated during production and appropriate protection is included within the LTC6803 device itself.

## APPLICATIONS INFORMATION

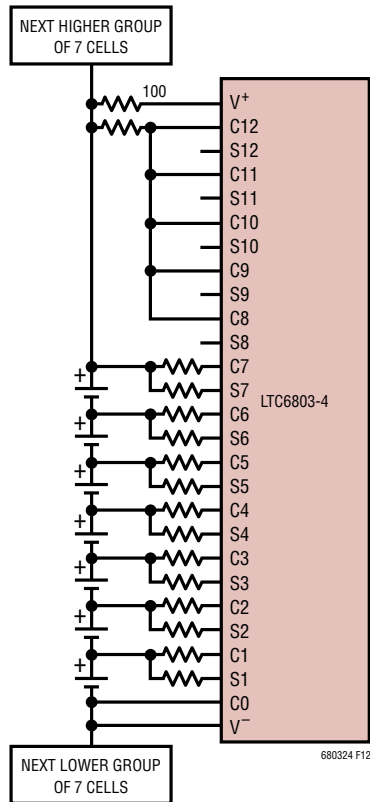


Figure 12. Monitoring 7 Cells with the LTC6803-4

### Internal Protection Diodes

Each pin of the LTC6803 has protection diodes to help prevent damage to the internal device structures caused by external application of voltages beyond the supply rails as shown in Figure 13. The diodes shown are conventional silicon diodes with a forward breakdown voltage of 0.5V. The unlabeled Zener diode structures have a reverse breakdown characteristic which initially breaks down at 12V then snaps back to a 7V clamping potential. The Zener diodes labeled  $Z_{CLAMP}$  are higher voltage devices with an initial reverse breakdown of 30V snapping back to 25V. The forward voltage drop of all Zeners is 0.5V. Refer to this diagram in the event of unpredictable voltage clamping or current flow. Limiting the current flow at any pin to  $\pm 10\text{mA}$  will prevent damage to the IC.

### READING EXTERNAL TEMPERATURE PROBES

The LTC6803 includes two channels of ADC input,  $V_{TEMP1}$  and  $V_{TEMP2}$ , that are intended to monitor thermistors (tempco about  $-4\%/^{\circ}\text{C}$  generally) or diodes ( $-2.2\text{mV}/^{\circ}\text{C}$  typical) located within the cell array. Sensors can be powered directly from  $V_{REF}$  as shown in Figure 14 (up to  $60\mu\text{A}$  total).

Table 18. LTC6803 Failure Mechanism Effect Analysis

| SCENARIO   | EFFECT  | DESIGN MITIGATION  |
|--|---|--|
| Cell input open-circuit (random)   | Power-up sequence at IC inputs                  | Clamp diodes at each pin to $V^+$ and $V^-$ (within IC) provide alternate power path   |
| Cell input open-circuit (random)   | Differential input voltage overstress           | Zener diodes across each cell voltage input pair (within IC) limits stress   |
| Disconnection of a harness between a group of battery cells and the IC (in a system of stacked groups) | Loss of supply connection to the IC             | Separate power may be provided by a local supply   |
| Data link disconnection between LTC6803 and the master   | Loss of serial communication (no stress to ICs) | The device will enter standby mode within 2 seconds of disconnect. Discharge switches are disabled in standby mode   |
| Cell-pack integrity, break between stacked units   | No effect during charge or discharge            | Use digital isolators to isolate the LTC6803-2/LTC6803-4 serial port from other LTC6803-2/LTC6803-4 serial ports   |
| Cell-pack integrity, break within stacked unit   | Cell input reverse overstress during discharge  | Add parallel Schottky diodes across each cell for load-path redundancy. Diode and connections must handle full operating current of stack, will limit stress on IC         |
| Cell-pack integrity, break within stacked unit   | Cell input positive overstress during charge    | Add SCR across each cell for charge-path redundancy. SCR and connections must handle full charging current of stack, will limit stress on IC by selection of trigger Zener |

APPLICATIONS INFORMATION

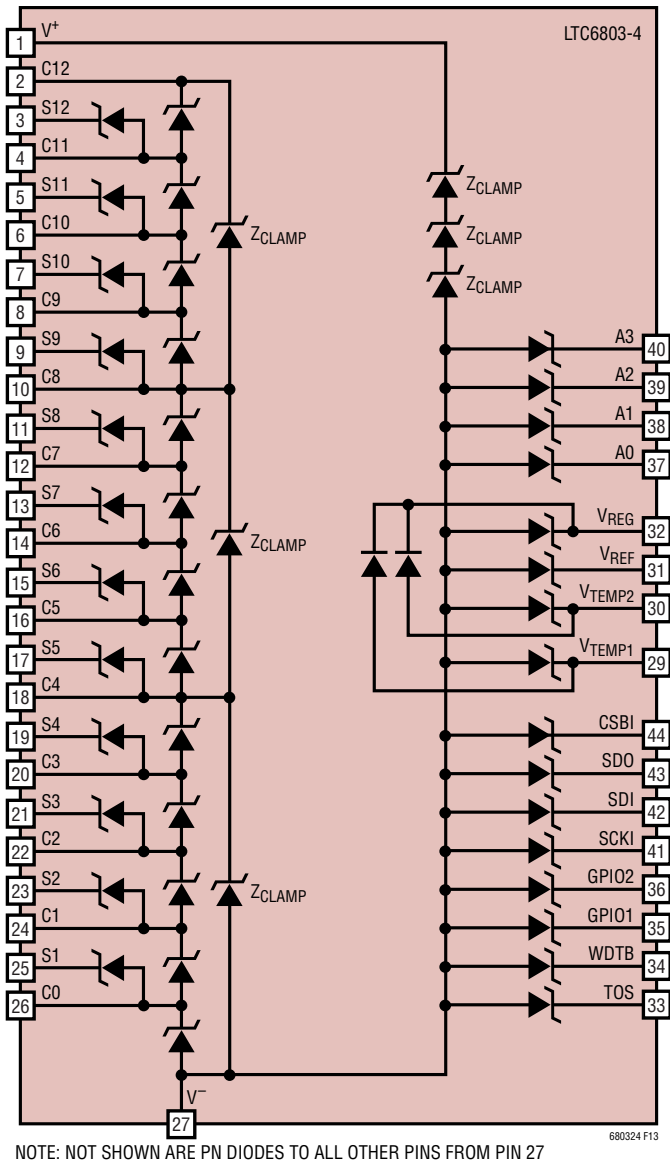


Figure 13. Internal Protection Diodes

For sensors that require higher drive currents, a buffer op amp may be used as shown in Figure 15. Power for the sensor is actually sourced indirectly from the  $V_{REG}$  pin in this case. Probe loads up to about 1mA maximum are supported in this configuration. Since  $V_{REF}$  is shut down during the LTC6803 idle and shutdown modes, the thermistor drive is also shut off and thus power dissipation minimized. Since  $V_{REG}$  remains always on, the buffer op amp (LT6000 shown) is selected for its ultralow power consumption (12 $\mu$ A).

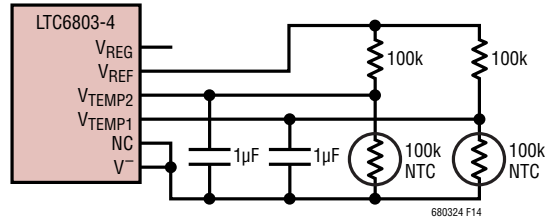


Figure 14. Driving Thermistors Directly from  $V_{REF}$

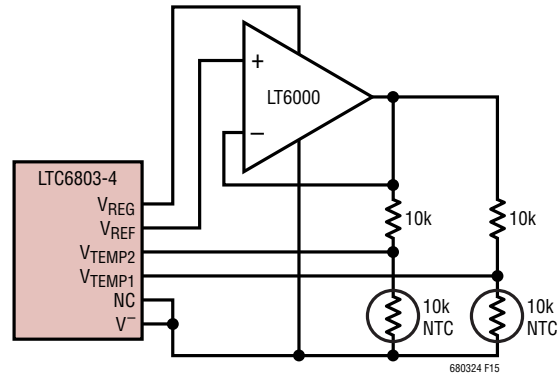


Figure 15. Buffering  $V_{REF}$  for Higher Current Sensors

Expanding Probe Count

As shown Figure 16, a dual 4:1 multiplexer is used to expand the general purpose  $V_{TEMP1}$  and  $V_{TEMP2}$  ADC inputs to accept 8 different probe signals. The channel is selected by setting the general purpose digital outputs GPIO1 and GPIO2 and the resultant signals are buffered by sections of the LT6004 micropower dual operational amplifier. The probe excitation circuitry will vary with probe type and is not shown here.

Another method of multiple sensor support is possible without the use of any GPIO pins. If the sensors are PN diodes and several used in parallel, then the hottest diode will produce the lowest forward voltage and effectively establish the input signal to the  $V_{TEMP}$  input(s). The hottest diode will therefore dominate the readout from the  $V_{TEMP}$  inputs that the diodes are connected to. In this scenario, the specific location or distribution of heat is not known, but such information may not be important in practice. Figure 17 shows the basic concept. In any of the sensor configurations shown, a full-scale cold readout would be an indication of a failed-open sensor connection to the LTC6803.



## APPLICATIONS INFORMATION

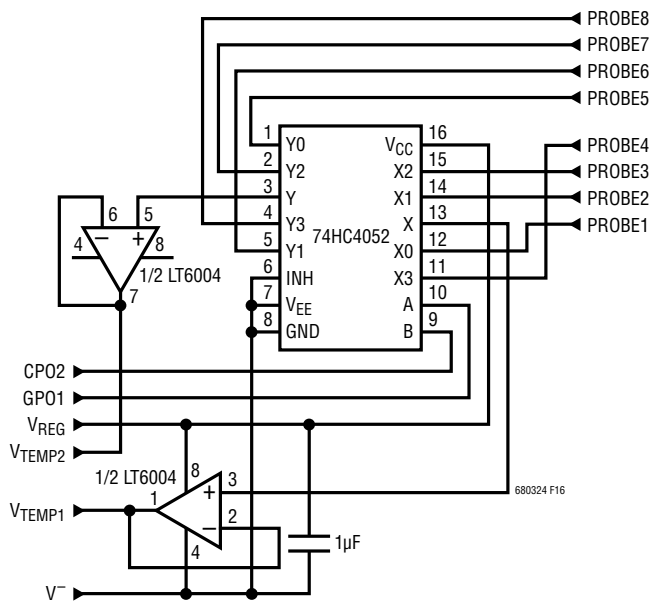


Figure 16. Expanding Sensor Count with Multiplexing

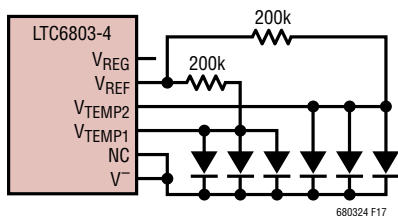


Figure 17. Using Diode Sensors as Hot Spot Detectors

### ADDING CALIBRATION AND FULL-STACK MEASUREMENTS

The general purpose  $V_{TEMP}$  ADC inputs may be used to digitize any signals from 0V to 4V with accuracy corresponding closely with that of the cell 1 ADC input. One useful signal to provide is a high accuracy voltage reference, such as 3.300V from an LTC6655-3.3. From periodic readings of this signal, the host software can provide correction of the LTC6803 readings to improve the accuracy over that of the internal LTC6803 reference and/or validate ADC operation. Figure 18 shows a means of selectively powering an LTC6655-3.3 from the battery stack, under the control of the GPIO1 output of the LTC6803-2. Since the operational power of the reference IC would add significant thermal loading to the LTC6803 if powered from  $V_{REG}$ , an external high voltage NPN pass transistor is used to form a local 4.4V ( $V_{be}$  below  $V_{REG}$ ) from the battery stack. The GPIO1 signal controls a PMOS FET switch to activate the reference when calibration is to be performed. Since GPIO signals default to logic high in shutdown, the reference will automatically turn off during idle periods.

Another useful signal is a measure of the total stack potential. This provides a redundant operational measurement of the cells in the event of a malfunction in the normal acquisition process, or as a faster means of monitoring the entire stack potential. Figure 19 shows how a resistive divider is used to derive a scaled representation of a full cell group potential. A MOSFET is used to disconnect

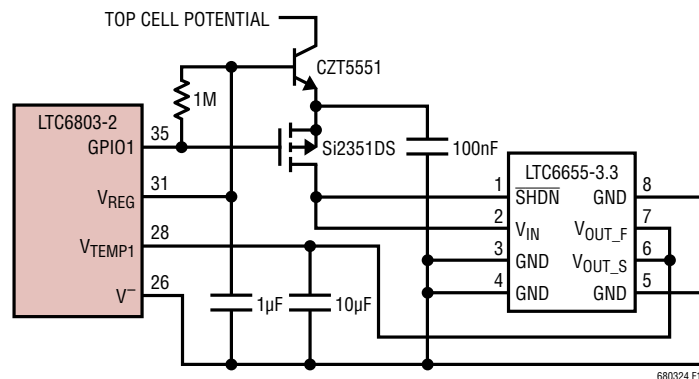


Figure 18. Providing Measurement of Calibration Reference

APPLICATIONS INFORMATION

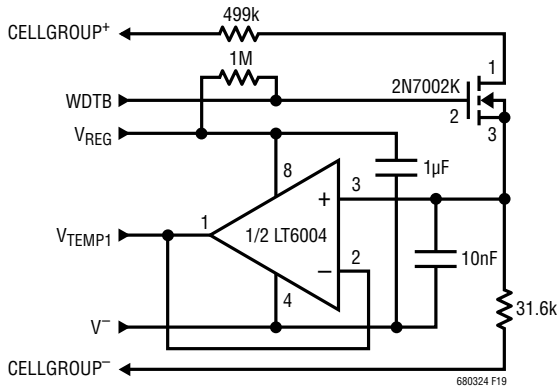


Figure 19. Using a V<sub>TEMP</sub> Input for Full-Stack Readings

the resistive loading on the cell group when the IC enters standby mode (i.e., when WDTB goes low). An LT6004 micropower operational amplifier section is shown for buffering the divider signal to preserve accuracy. This circuit has the virtue that it can be converted about four times more frequently than the entire battery array, thus offering a higher sample rate option at the expense of some precision/accuracy, reserving the high resolution cell readings for calibration and balancing data.

PROVIDING HIGH SPEED ISOLATION OF THE SPI DATA PORT

Isolation techniques that are capable of supporting the 1 Mbps data rate of the LTC6803-2/LTC6803-4 require more power on the isolated (battery) side than can be furnished by the V<sub>REG</sub> output of the LTC6803-2/LTC6803-4. To keep battery drain minimal, this means that a DC/DC function must be implemented along with a suitable data isolation circuit, such as shown in Figure 20. A quad (3 + 1) data isolator Si8441AB-C-IS is used to provide non-galvanic SPI signal connections between a host microprocessor and an LTC6803-2/LTC6803-4. An inexpensive isolated DC/DC converter provides powering of the isolator function completely from the host 5V power supply. A quad three-state buffer is used to allow SPI inputs at the LTC6803-2/LTC6803-4 to rise to a logic high level when the isolator circuitry powers down, assuring the lowest power consumption in the standby condition. The pull-ups to V<sub>REG</sub> are selected to match the internal loading on V<sub>REG</sub> by ICs operating with a current mode SPI interface, thus balancing the current in all cells during operation. The additional pull-up on the SDO line (1k resistor and Schottky diode) is to improve rise time, in lower data rate applications this may not be needed.

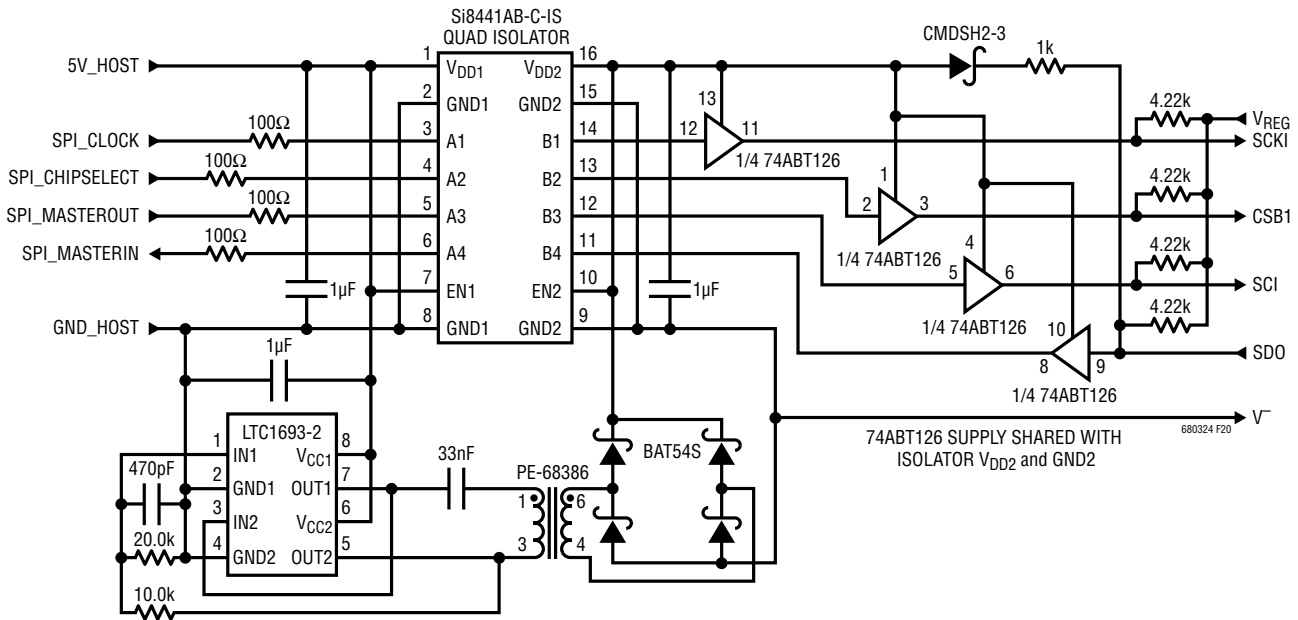


Figure 20. Providing an Isolated High Speed Data Interface

## APPLICATIONS INFORMATION

### SUPPLY DECOUPLING IF BATTERY-STACK POWERED

As shown in Figure 21, the LTC6803-4 can have filtering on both  $V^+$  and  $V^-$ , so differential bypassing to the cell group potentials is recommended. The Zener suppresses overvoltages from reaching the IC supply pins. A small ferrite-bead inductor provides protection for the Zener, particularly from energetic ESD strikes. Since the LTC6803-2 cannot have a series resistance to  $V^-$ , additional Schottky diodes are needed to prevent ESD-induced reverse-supply (substrate) currents to flow.

### ADVANTAGES OF KELVIN CONNECTION ON C0

The  $V^-$  trace resistance can cause an observable voltage drop between the negative end of the bottom battery cell and  $V^-$  pin of LTC6803. This voltage drop will add to the measurement error of the bottom cell voltage. The LTC6803-4 separates C0 from  $V^-$ , allowing Kelvin connection on C0 as shown in Figure 22. Voltage drop on the  $V^-$  trace will not affect the bottom cell voltage measurement. The Kelvin connection will also allow RC filtering on  $V^-$  as shown in Figure 21.

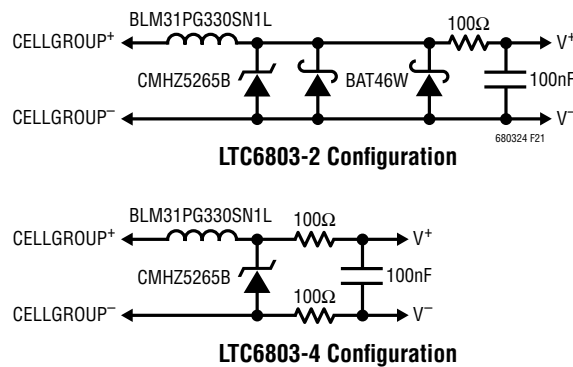


Figure 21. Supply Decoupling

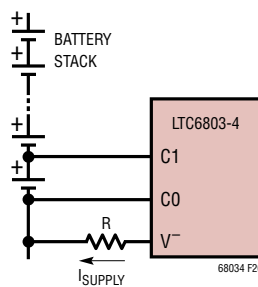


Figure 22. Kelvin Connection on C0 Improving Bottom Cell Voltage Measurement Accuracy

## APPLICATIONS INFORMATION

### HARDWARE SHUTDOWN

To completely shut down the LTC6803 a PMOS switch can be connected to  $V^+$ , or,  $V^+$  can be driven from an isolated power supply. Figure 23 shows an example of a switched  $V^+$ . The breakdown voltage of DZ4 is about 1.8V. If  $\overline{\text{SHDN}} < 1.8\text{V}$ , no current will flow through the stacked MMBTA42s and the 1M resistors. TP0610Ks will be completely shut off. If  $\overline{\text{SHDN}} > 2.5\text{V}$ , M7 will be turned on and then all TP0610Ks will be turned on.

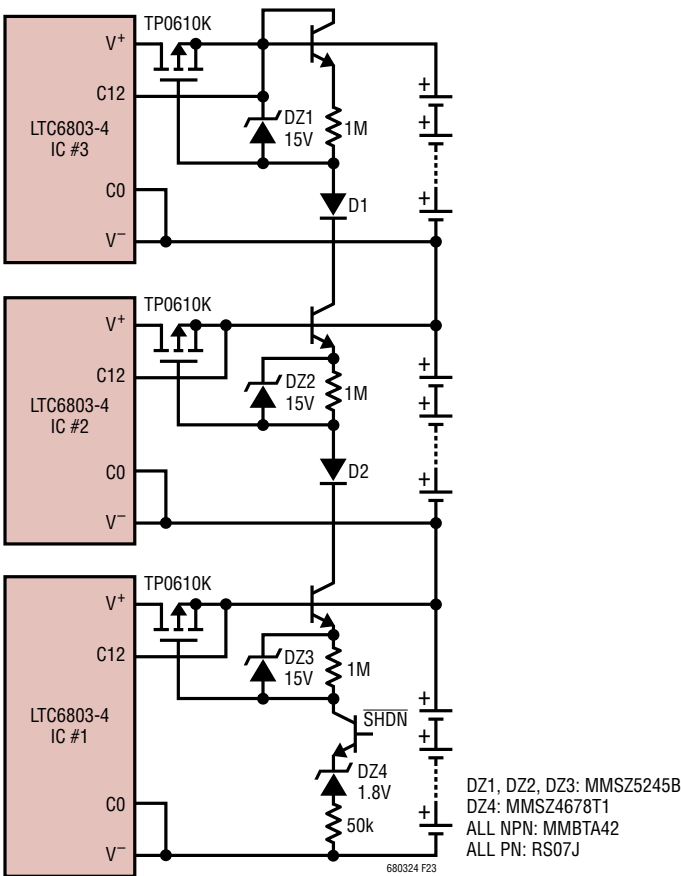


Figure 23. Hardware Shutdown Circuit Reduces Total Supply Current of LTC6803-4 to About  $0\mu\text{A}$

### PCB LAYOUT CONSIDERATIONS

The  $V_{\text{REG}}$  and  $V_{\text{REF}}$  pins should be bypassed with a  $1\mu\text{F}$  capacitor for best performance. The LTC6803 is capable of operation with as much as 55V between  $V^+$  and  $V^-$ . Care should be taken on the PCB layout to maintain physical

separation of traces at different potentials. The pinout of the LTC6803 was chosen to facilitate this physical separation. There is no more than 5.5V between any two adjacent pins. The package body is used to separate the highest voltage (e.g., 43.2V) from the lowest voltage (0V). As an example, Figure 24 shows the DC voltage on each pin with respect to  $V^-$  when twelve 3.6V battery cells are connected to the LTC6803.

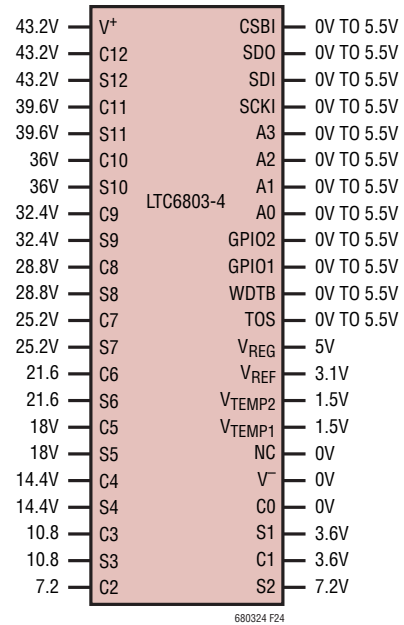


Figure 24. Typical Pin Voltages for Twelve 3.6V Cells

### ADVANTAGES OF DELTA-SIGMA ADCS

The LTC6803 employs a delta-sigma analog-to-digital converter for voltage measurement. The architecture of delta-sigma converters can vary considerably, but the common characteristic is that the input is sampled many times over the course of a conversion and then filtered or averaged to produce the digital output code. In contrast, a SAR converter takes a single snapshot of the input voltage and then performs the conversion on this single sample. For measurements in a noisy environment, a delta-sigma converter provides distinct advantages over a SAR converter.

While SAR converters can have high sample rates, the full-power bandwidth of a SAR converter is often greater than

## APPLICATIONS INFORMATION

1MHz, which means the converter is sensitive to noise out to this frequency. And many SAR converters have much higher bandwidths—up to 50MHz and beyond. It is possible to filter the input, but if the converter is multiplexed to measure several input channels a separate filter will be required for each channel. A low frequency filter cannot reside between a multiplexer and an ADC and achieve a high scan rate across multiple channels. Another consequence of filtering a SAR ADC is that any noise reduction gained by filtering the input cancels the benefit of having a high sample rate in the first place, since the filter will take many conversion cycles to settle.

For a given sample rate, a delta-sigma converter can achieve excellent noise rejection while settling completely in a single conversion—something that a filtered SAR converter cannot do. Noise rejection is particularly important in high voltage switching controllers, where switching noise will invariably be present in the measured voltage. Other advantages of delta-sigma converters are that they are inherently monotonic, meaning they have no missing codes, and they have excellent DC specifications.

### Converter Details

The LTC6803 ADC has a 2nd order delta-sigma modulator followed by a SINC2, finite impulse response (FIR) digital filter. The front-end sample rate is 512ksps, which greatly reduces input filtering requirements. A simple 16kHz, 1-pole filter composed of a 100 $\Omega$  resistor and a 0.1 $\mu$ F capacitor at each input will provide adequate filtering for most applications. These component values will not degrade the DC accuracy of the ADC.

Each conversion consists of two phases—an autozero phase and a measurement phase. The ADC is autozeroed at each conversion, greatly improving CMRR. The second half of the conversion is the actual measurement.

### Noise Rejection

Figure 25 shows the frequency response of the ADC. The roll-off follows a SINC2 response, with the first notch at 4kHz. Also shown is the response of a 1 pole, 850Hz filter

(187 $\mu$ s time constant) which has the same integrated response to wideband noise as the LTC6803 ADC, which is about 1350Hz. This means that if wideband noise is applied to the LTC6803 input, the increase in noise seen at the digital output will be the same as an ADC with a wide bandwidth (such as a SAR) preceded by a perfect 1350Hz brick wall lowpass filter.

Thus if an analog filter is placed in front of a SAR converter to achieve the same noise rejection as the LTC6803 ADC, the SAR will have a slower response to input signals. For example, a step input applied to the input of the 850Hz filter will take 1.55ms to settle to 12 bits of precision, while the LTC6803 ADC settles in a single 1ms conversion cycle. This also means that very high sample rates do not provide any additional information because the analog filter limits the frequency response.

While higher order active filters may provide some improvement, their complexity makes them impractical for high channel count measurements as a single filter would be required for each input.

Also note that the SINC2 response has a 2nd order roll-off envelope, providing an additional benefit over a single pole analog filter.

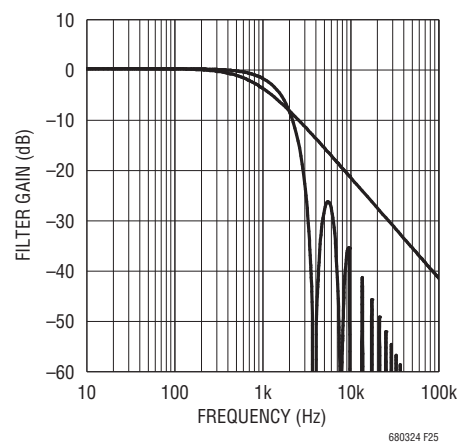
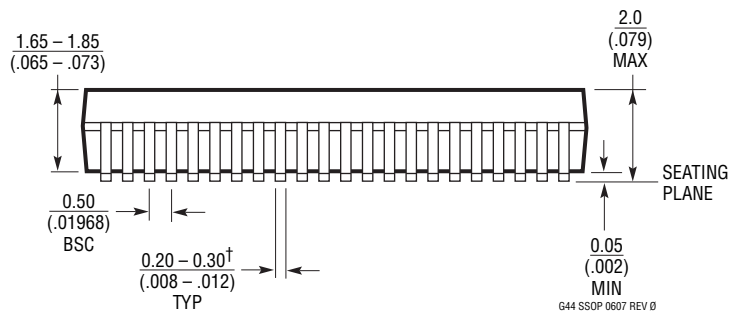
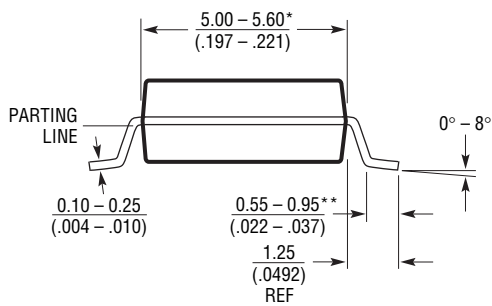
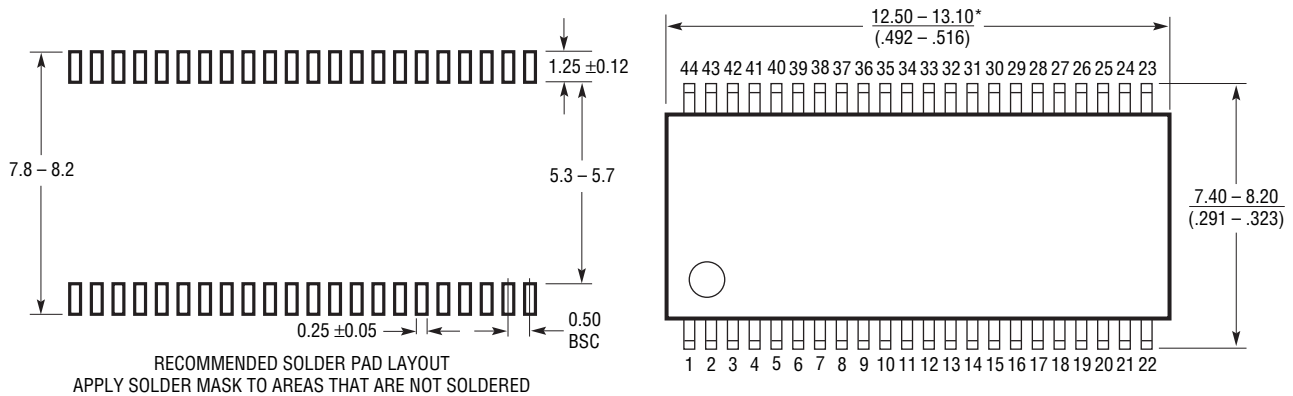


Figure 25. Noise Filtering of the LTC6803-4 ADC

## PACKAGE DESCRIPTION

**G Package**  
**44-Lead Plastic SSOP (5.3mm)**  
 (Reference LTC DWG # 05-08-1754 Rev 0)



- NOTE:
1. DRAWING IS NOT A JEDEC OUTLINE
  2. CONTROLLING DIMENSION: MILLIMETERS
  3. DIMENSIONS ARE IN MILLIMETERS (INCHES)
  4. DRAWING NOT TO SCALE
  5. FORMED LEADS SHALL BE PLANAR WITH RESPECT TO ONE ANOTHER WITHIN 0.08mm AT SEATING PLANE

\*DIMENSIONS DO NOT INCLUDE MOLD FLASH OR PROTRUSIONS, BUT DO INCLUDE MOLD MISMATCH AND ARE MEASURED AT THE PARTING LINE. MOLD FLASH SHALL NOT EXCEED .15mm PER SIDE

\*\*LENGTH OF LEAD FOR SOLDERING TO A SUBSTRATE

†THE MAXIMUM DIMENSION DOES NOT INCLUDE DAMBAR PROTRUSIONS. DAMBAR PROTRUSIONS DO NOT EXCEED 0.13mm PER SIDE

---

**REVISION HISTORY**

| REV | DATE  | DESCRIPTION                      | PAGE NUMBER |
|-----|-------|----------------------------------|-------------|
| A   | 08/12 | Clarification to UV/OV Operation | 15          |

